

MHI
Copy 3

FM 54-2

DEPARTMENT OF THE ARMY FIELD MANUAL

THE DIVISION SUPPORT COMMAND



HEADQUARTERS, DEPARTMENT OF THE ARMY
SEPTEMBER 1965

TAGO 5563-A—August

FIELD MANUAL }
 No. 54-2 }

HEADQUARTERS
 DEPARTMENT OF THE ARMY
 WASHINGTON, D.C., 21 September 1965

THE DIVISION SUPPORT COMMAND

		Paragraph	Page
CHAPTER	1. GENERAL.....	1-4	3, 4
	2. DIVISION LOGISTICS.....		
Section	I. General.....	5-8	5, 6
	II. Division support command.....	9-12	8
	III. Brigade trains.....	13-16	9, 10
	IV. Battalion trains.....	17-20	12, 13
	V. Company trains.....	21, 22	15
	VI. Division military police company.....	23-25	15
CHAPTER	3. ORGANIZATION OF DIVISION SUPPORT COM- MAND.		
Section	I. Headquarters, headquarters company and band, division support command.....	26-28	17
	II. Administration company.....	29-31	18
	III. Medical battalion.....	32-34	19
	IV. Supply and transport battalion.....	35-37	20
	V. Maintenance battalion.....	38-40	21
	VI. Division direct support maintenance company.....	41, 42	22
	VII. Air equipment support company.....	43-45	23
CHAPTER	4. DIVISION SUPPORT COMMAND STAFF.....	46-54	24-30
	5. EMPLOYMENT OF DIVISION SUPPORT COM- MAND.		
Section	I. Field installations.....	55-58	31-34
	II. Organization of the division support command for combat.....	59-61	34, 35
	III. Rear area security.....	62-65	35
	IV. Area damage control.....	66-69	36
CHAPTER	6. SUPPORT COMMAND COMMUNICATIONS.....	70-74	40-43
	7. DIVISION SUPPLY AND TRANSPORT PRO- CEDURES.		
Section	I. Supply.....	75-83	45-55
	II. Logistic support transport.....	84-86	55
CHAPTER	8. DIVISION MAINTENANCE AND SERVICE PRO- CEDURES.		
Section	I. Maintenance and repair parts.....	87-90	58-61
	II. Medical service.....	91, 92	63
	III. Miscellaneous services.....	93-95	65
CHAPTER	9. LOGISTIC SUPPORT FOR SPECIAL OPERATIONS		
Section	I. Airborne operations.....	96, 97	67
	II. Situations short of war.....	98, 99	67
	III. Operations against irregular forces.....	100, 101	68
	IV. Jungle operations.....	102-104	68, 69
	V. Mountain operations.....	105-107	69
	VI. Amphibious operations.....	108, 109	70
	VII. Desert operations.....	110-112	70
APPENDIX	I. REFERENCES.....		71
	II. REAR AREA SECURITY SOP.....		75
	III. AREA DAMAGE CONTROL SOP.....		79
	IV. CHARACTERISTICS OF SIGNAL EQUIPMENT.....		85
INDEX.....			87

*This manual supersedes FM 54-2, 20 December 1961.

CHAPTER 1

GENERAL

1. Purpose

This manual establishes doctrine for logistic support within divisions and guidance for the employment of division support commands. It is designed for the use of division commanders, division support command commanders and their staffs, and other commanders and staff officers concerned with logistic support within army divisions.

a. References in this manual to combat battalions or companies apply equally to armored cavalry squadrons and troops.

b. The guidance contained in this manual applies to logistic support operations under all conditions of conflict and all forms of warfare, except where otherwise stated. Logistic support of special operations is discussed only in general terms in this manual because it is designed to be used in conjunction with other field manuals (app I).

2. Scope

This manual deals primarily with the logistic activities of division support commands and support command units to include their control, organization, capabilities, limitations, procedures, and techniques of employment in support of division operations. Detailed functions and procedures for the support of each type division are provided in separate field manuals.

a. *Combat Service Support.* The term "combat service support" is that assistance provided operating forces primarily in the fields of administrative services, chaplain service, civil affairs, finance, legal service, maintenance, medical service, military police, replacements, supply, transportation, and other logistical services. Combat service support provided by the division support command includes—

- (1) *Supply (less class V).* This support is provided by the supply and transport battalion. Class V is also provided by the

supply and transport battalion in the airborne division.

- (2) *Transportation for combat service support operations (less transportation for class V supply in infantry, mechanized, and armored divisions).* Transportation support is provided by the division supply and transport battalion, the medical battalion, and the maintenance battalion. The military police company also provides transportation support of combat service support MP operations.
- (3) *Direct support maintenance.* This support is provided by the division maintenance battalion, except for EAM, cryptomaterial, and medical equipment.
- (4) *Medical service.* This service is provided by the division medical battalion.
- (5) *Personnel administrative services.* This support is provided by the division administration company.
- (6) *Miscellaneous services.* This support includes recovery and evacuation of damaged and captured materiel and salvage; and bath and clothing exchange and graves registration, when augmentation is provided. These services are provided by the supply and transport battalion and the maintenance battalion, as appropriate.

b. *Military Police Support.* Military police support of the division is provided by the division military police company. Under the operational control of the division provost marshal, this company provides command-oriented military police and criminal investigative services to the units of the division. Although military police support is a function of combat service support, the company is not included within the support command. Details of military police support are explained in FM 61-100 and appropriate 19-series field manuals.

c. Civil Affairs Support. Civil affairs support of the division may be provided as required by an augmentation to the division staff and the attachment of a civil affairs operational unit to the support command. Details of this support are given in FMs 41-10, 61-100, 100-10, and 101-5.

d. Rear Area Security and Area Damage Control. Responsibilities of the division support command commander for rear area security and area damage control are discussed in this manual.

3. Comments

Users of this manual are encouraged to submit recommended changes or comments to improve the manual. Comments should be keyed to the page, paragraph, and line of the text in which the change is recommended. Reasons should be provided for each comment to insure understanding and complete evaluation. Recommended changes or comments to improve this manual should be forwarded direct to the Commanding General, United States Army Combat Developments Command Combat Service Support Group, Fort Lee, Va. 23801.

4. Basic Considerations

The division support command is a major subordinate unit at the same echelon of command as the brigades and division artillery. It is organized to provide logistic and personnel administrative support to the division.

a. The basic organization of the support command is the same for all divisions except that in the airborne division an air equipment support company is added and the motor transportation company is placed in augmentation. However, the composition of various elements of the support command, e.g., maintenance battalion, supply and transport battalion, will vary in terms of equipment and numbers of personnel according to the type division supported and the resulting variation in amounts and types of materiel involved.

b. The division support command can provide support elements for attachment to brigades for independent or semi-independent operations of limited duration. When the support command is fragmented in this manner, field army support

command troops may be required to augment the division support command.

c. The support command commander is the principal logistic support operator for the division. He is responsible to the division commander for carrying out the division logistic support plan as well as for assisting in its development. The support command commander has normal command authority over all subordinate units of his command except the administration company. Although he commands administration company, and is responsible for supporting it, he is not responsible for its operations. The personnel administration functions of the company are performed under the general staff supervision of the G1. Details of this support are set forth in FMs 12-11, 61-100, and 101-5. The division IG, SGA, AG, Chaplain, and Finance Staff sections are also provided by this company and they operate in accordance with the staff procedures and doctrine contained in FM 61-100, FM 101-5, and other applicable field manuals.

d. The brigades of the division are tactical echelons and enter logistic support channels only in a control and coordinating role to insure that logistic support is coordinated and adequate to support the brigade operations. The brigades receive logistic support in one of two ways, when the brigade is operating—

- (1) With the division, the combat service support units are in direct support and remain under the command of their parent unit. In this case, changes in logistic support units' organization, mission, or location may be recommended to the support command commander by the brigade commander. This is similar to control of army supply points operating in corps or division areas.
- (2) On an independent mission away from the remainder of the division, the required logistic support elements are attached. In this instance, the brigade commander commands the attached elements and supervises their operations.

e. The combat battalions of the division have organic logistics elements. These normally receive direct support from the division support command.

CHAPTER 2

DIVISION LOGISTICS

Section I. GENERAL

5. Logistical Responsibilities of Commanders

Each commander is responsible for the logistic support of his organic and attached units. He must be familiar with and consider the logistic situation within his command at all times.

a. The commander plans and conducts operations of his assigned and attached logistic support units with the same care he uses in planning and conducting tactical operations. He takes cognizance of and coordinates with other supporting logistic units and installations.

b. Each commander must consider in his planning the capabilities and limitations of his organic logistic support system and its backup support, to include its ability to react, locations of installations, and the effect that requirements of one subordinate commander might have on other requirements for logistic support.

c. The commander makes his policies, concepts, and decisions known to his organic logistic personnel and supporting logistic units in time to insure an adequate, coordinated logistic effort in support of his operations.

d. Each tactical commander is responsible for the security of logistic support units and lines of communication in his area of responsibility.

e. The economical use and conservation of his logistic resources is a direct responsibility of each commander. He indoctrinates his subordinates in and insures that supply economy is practiced by all members of his command in the use of available resources.

f. Each commander is responsible for keeping the units supporting him informed on matters which affect his requirements; these include location and relocation plans, tactical plans, and anticipated changes in strength.

6. Logistics Staff Officers (G4/S4)

To assist them in the discharge of their logistic

support responsibilities, battalion and higher echelon commanders in the division have logistics staff officers—the assistant chief of staff, G4, logistics, at division level; and the logistics officer, S4, at brigade, division artillery, support command, and battalion level. The logistics staff officer is responsible for developing logistic policy and for planning, staff coordination, and staff supervision of the logistic effort. The staff responsibilities of the logistics staff officer are described in FM 101-5.

7. Logistic Support Operations in Chemical and Biological Operations and Nuclear Warfare

a. *Logistic Support Planning.* Chemical and biological operations and nuclear warfare will require increased emphasis on the following:

- (1) Plans for alternate methods of supply, services, and medical evacuation.
- (2) Achievement of balance between the need for increased movement and dispersion and the ability to perform the mission.
- (3) Continuation of logistic support if such support is curtailed.
- (4) Possible increases or changes in basic loads.
- (5) Plans to augment the logistic support capability by the addition of units, such as chemical decontamination units, engineer units, and aviation units.
- (6) Provisions for rapid augmentation or movement of medical units, timely emergency treatment, and evacuation of large numbers of patients.
- (7) Traffic control to increase the speed of movement and to prevent development of potential targets resulting from traffic congestion.
- (8) Plans for rehabilitation of critical routes as soon as possible after their damage.

- (9) Plans for the timely procurement of civil resources (manpower and materiel) to supplement division capabilities in rear area security, damage control, and certain logistic functions.

b. Logistic Support Units and Facilities. The basic consideration governing the location of logistic support units and facilities is the requirement to accomplish their missions. Another consideration is the enemy's capability to employ chemical, biological, and nuclear weapons. Related to this enemy capability is the need for dispersion, and frequent relocating of operation areas. A further consideration in the location of logistic support facilities is their relationship to other potential targets. Locating such facilities near tactical units increases ground security, but may create an attractive target.

- (1) *Dispersion.* The extent of dispersion and the frequency of relocating will vary directly with the ability of the enemy to locate targets and the radius of damage expected from the largest tactical nuclear weapon that the enemy can be expected to use, or his chemical and biological weapon capability. These factors must be reconciled with the necessity for the unit to accomplish its mission, the road nets, disposition of other troops in the area, the tactical situation, the degree of risk acceptable to the commander, the degree of protection available, communications capabilities, the requirement for defense against enemy infiltrators and guerrilla units, the ability of the units to displace, and the time required to do so. It may be necessary because of terrain restrictions or a large enemy guerrilla threat, to limit dispersion of logistic support facilities, even when a nuclear threat exists. Ideally, logistic support units and facilities are dispersed throughout an area to avoid the likelihood of destruction of more than one unit or facility by the largest yield tactical weapon that the enemy can be expected to employ. However, dispersion reduces operational efficiency and increases vulnerability of the logistic units to sabotage, pilferage, guerrilla attack, and enemy conventional attack.
- (2) *Defensibility.* Maximum defensive measures are taken to insure minimum interruption in logistic operations. All person-

nel must maintain their proficiency in the use of individual and crew-served weapons. Even though logistic elements within a division support or trains area may be widely dispersed, each must be prepared to provide its own protection. Passive defensive measures, such as dispersion, movement, concealment, cover, camouflage, and deception, are employed to reduce detection and thereby reduce the effectiveness of strikes by enemy nuclear, chemical, and biological weapons. Frequent displacement is an excellent passive defensive measure, but it reduces the efficiency of logistic operations. Unit standing operating procedures (SOP) prescribe passive defensive measures for personnel, materiel, and installations.

c. Operational Procedures. To insure continuity of command, unit SOP's and orders provide for alternate command facilities for each major logistic support element. Specific individuals should be designated to assume command and specific subordinate unit command posts designated as alternates for those that may be destroyed. Logistic support units and facilities remain responsive to change. They are able to move with minimum advance notice. This state of readiness requires maximum on-vehicle stowage of equipment not in use and detailed contingency plans.

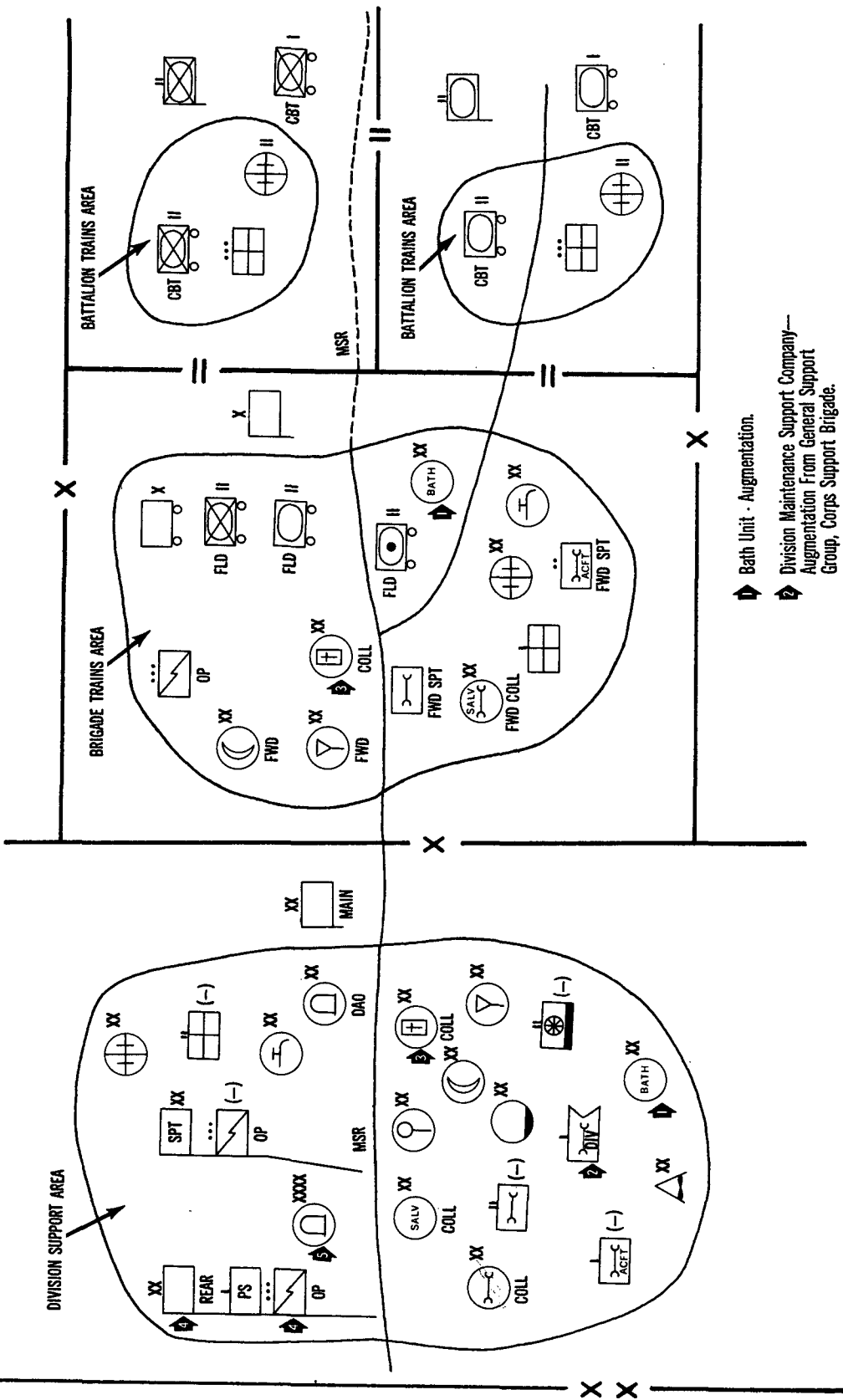
8. Organization of Logistic Elements for Support During Combat

The composition and employment of the logistic support elements of the division are dictated by the mission, tactical situation, logistic support situation, and time-distance factors.

a. The major logistic support groupments in the division are the support command, brigade trains, battalion trains, and company trains. For typical employment of elements see figure 1.

b. The battalion and company trains are normally divided into combat trains and field trains unless unit commanders desire to employ unit trains.

- (1) Combat trains consist of supply, medical, and maintenance vehicles and personnel and equipment necessary for the immediate logistic support of combat operations.
- (2) Field trains consist of administrative, supply, medical, and maintenance vehicles and personnel and equipment not in the combat trains and not required for the immediate support of combat operations.



- Bath Unit - Augmentation.
- Division Maintenance Support Company—Augmentation From General Support Group, Corps Support Brigade.
- Graves Registration - Augmentation.
- Division Rear Normally in Division Support Area.
- ASP may be in Division Support Area.

Figure 1. Typical deployment of division logistic support units and their facilities (including supporting signal elements and typical supported units).

- (3) Unit trains consist of those logistic support elements organic to a unit when they are all under the direct control of their unit commander. In this case, the unit has no combat or field trains. Unit trains are

kept intact when their presence in the unit area will not subject them to probable loss or destruction or when their commander is willing to risk their possible loss to gain increased responsiveness.

Section II. DIVISION SUPPORT COMMAND

9. Mission

The division support command mission is to provide division level supply, transportation, maintenance, medical, and certain miscellaneous services for all assigned and attached elements of the division.

10. Organization

The organization of the division support command is shown in figure 2.

11. Capabilities

The division support command provides—

a. Division level supply support to include storage and distribution of classes I, II, III, IIIA, and IV supplies and control of class V supply. In the airborne division, the support command also stores and distributes limited class V supplies.

b. Direct support maintenance and backup organizational maintenance support of all division units except for medical, ADPS/EAM, cryptographic, and airdrop equipment. In the airborne division, the support command provides only organizational maintenance for quartermaster airdrop equipment.

c. Division level medical service support to include evacuation of patients, treatment (including emergency dental), medical supply, and organizational maintenance of medical and dental equipment.

d. A limited capability to carry division reserve supplies.

e. When properly augmented, bath facilities and clothing exchange for the division.

f. Advice to the division commander and the division staff on supply, services, maintenance, and

transportation operations except water supply and maintenance of cryptographic equipment.

g. Graves registration service* to the division, when properly augmented.

h. Air equipment supply and maintenance support to the airborne division.

12. Employment

The support command provides logistic support on an area basis, a task basis, a unit support basis, or some combinations of these. Area support may be furnished to all the units located within a designated geographical area. In task support, a specified type or amount of a unit's support capability is furnished to designated units or areas. Unit support is support furnished to a designated unit or group of units.

a. Normally the division support command elements employ a combination of unit and area support with unit support as the foundation. The division support command supports each brigade with supply, service, medical, and maintenance elements tailored to meet the brigade needs.

b. A division support area is established to support units in the division rear area and to provide backup logistic support for support command units operating in the brigade areas.

c. The support command command post is normally located in the division support area. In fast-moving situations or widely dispersed actions, elements of the support command may operate forward of the division support area to insure that continuous logistic support is provided the combat and combat support elements. Employment of the division support command is described in chapter 5.

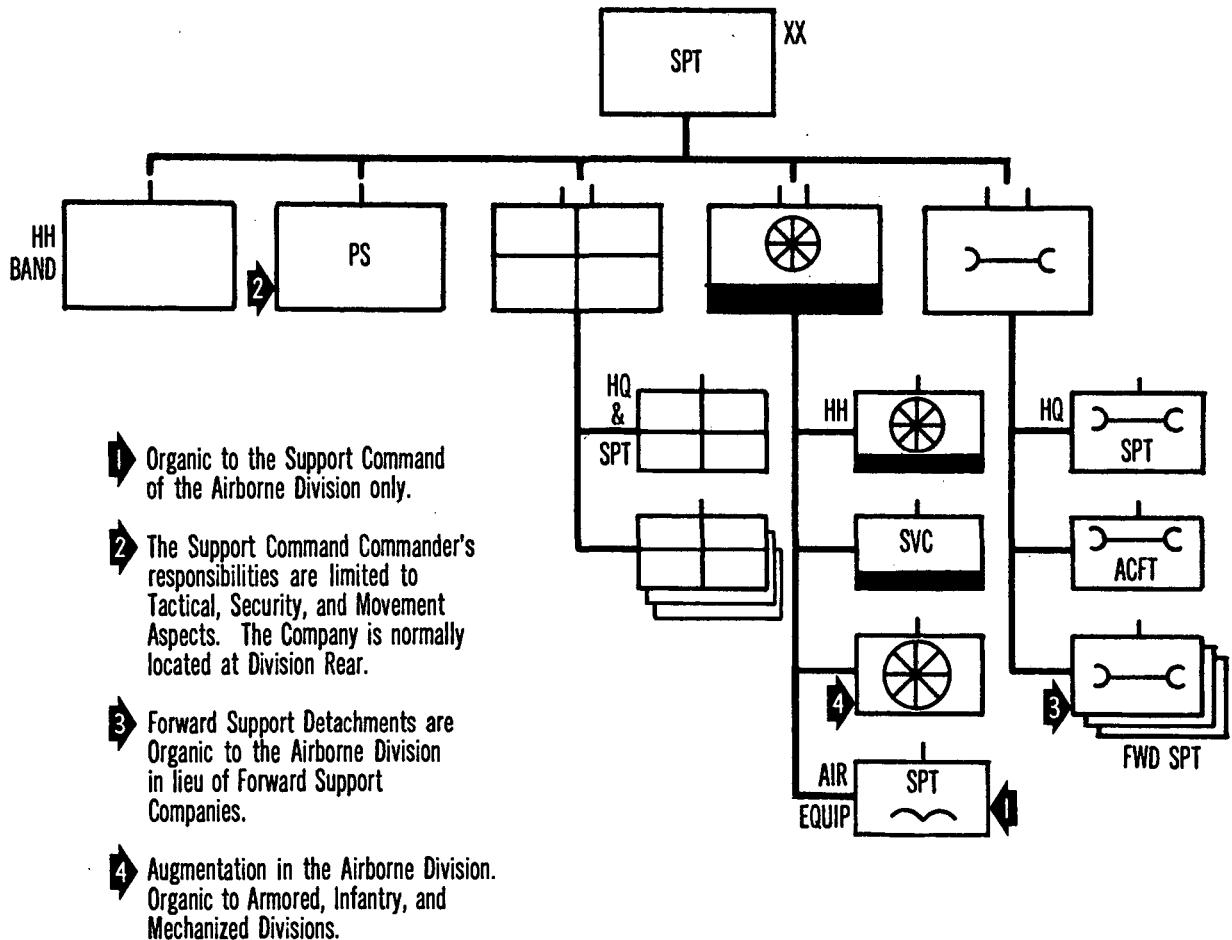


Figure 2. Division support command.

Section III. BRIGADE TRAINS

13. Mission

The brigade trains and support command units with the brigade, provide logistic support to units attached to or in support of the brigade. The division support command units operating in the brigade trains area not only perform their normal mission of logistic support to the brigade; they also provide logistic support to other units or elements operating in or near the brigade area. The brigade trains area is that geographical area occupied by elements of the brigade trains.

14. Organization

The brigade trains consist of elements of the brigade S4 section, field trains of attached or supporting units (basically battalion field trains), and, at

times, other combat trains. Other units that are not considered an organic part of the brigade trains, but that occupy a portion of the geographical area for which the brigade S4 is responsible, include elements of the division support command and, upon occasion, other combat support and logistic support elements operating in the brigade area. The composition of the brigade trains depends upon the tactical disposition of units and whether the logistic support units are attached to or are in direct support of the brigade.

15. Capabilities

The following supplies and services are normally available in or near the brigade trains area:

- a. Direct support maintenance.

b. All classes of supply (except class V) to include water. Ammunition is normally distributed in the brigade trains area only in airborne divisions.

c. Division medical clearing stations.

d. Recovery and evacuation of damaged and captured materiel and salvage.

e. Graves registration service, when properly augmented.

f. Bath facilities, when properly augmented.

16. Employment

Units located in the brigade trains area are under the tactical control of the brigade. Logistic support units not attached to the brigade but operating within the brigade trains area perform their primary mission under the operational control of their parent unit. The brigade S4 keeps informed of the operations of the support command elements operating in the brigade trains area through the division administrative/logistics communications net (division RATT net nr. 2) and by personal liaison to insure that continuous and adequate support is provided to brigade units. The brigade trains and support command units operating therein normally displace under the control of the brigade S4. The brigade S4 continually studies the tactical situation and makes recommendations for movement of the support command units and brigade trains to facilitate support of the tactical operations. Upon receiving movement instructions, the brigade S4 coordinates with the brigade S3 and support command units, reconnoiters the routes to the new area, assigns area to the various units being moved, and issues the order for movement. This order is usually oral.

a. *Control Procedures.* With the exception of repair parts and ammunition, supplies are normally delivered by means of supply and transport battalion vehicles to the forward distribution points established and operated in the brigade trains area by the supply and transport battalion. The brigade S4 coordinates with the supply and transport battalion units supporting the brigade in determining the location of these forward distribution points and normally designates their general location.

(1) The supply and transport battalion does not have the capability to make unit distribution of supplies to units that are normally served by forward distribution points; therefore, supply point distribution is used. Once the supplies arrive at the forward distribution points, the brigade, battalions, and separate companies nor-

mally use organic vehicles to pick up their supplies at these points. The brigade S4 coordinates with the supply and transport units supporting his brigade to establish an issue schedule that will reduce confusion and congestion within the brigade trains area to the minimum.

(a) Classes I and III supplies are normally delivered to division forward classes I and III distribution points. Combat battalions and separate companies obtain their classes I and III supplies at these points.

(b) Classes II and IV supplies (except repair parts) are delivered to the class I forward distribution point, or preferably directly to the requesting unit. Repair parts are supplied either by supply point or unit distribution from the maintenance battalion unit in the brigade trains area to using units.

(c) Conventional class V supplies, including high density missiles, are normally obtained from army ammunition supply points by combat battalions and separate companies using organic transportation. Selected items of ammunition may be delivered by field army ammunition units to firing points when unusual requirements develop, e.g., major preparatory fires planned or the support of pursuit operations. Special ammunition (including nuclear and missile items), because of its limited availability, high cost of some items, and the requirements for special security, is closely controlled and safeguarded.

(2) Combat battalion supply trucks are dispatched by the battalion S4 representative (normally the support platoon leader, assistant S4) from battalion field trains in the brigade trains area to draw supplies from division forward distribution points in the brigade trains area or from army ammunition supply points in the army service area. At the division forward distribution points or army ammunition supply points, the vehicles are loaded and returned to the battalion field trains in the brigade trains area. From this location, the trucks are either dispatched to their respective battalion combat trains or become part of the battalion field trains, as directed by the

battalion S4. Emptied trucks are returned from the combat trains to the battalion field trains where the drivers report to their respective battalion support platoon leader. The composition of the battalion combat trains and field trains and the supplies they carry are directed by the battalion commander upon the recommendation of the battalion S4.

- (a) A restriction on the use of routes or the presence of guerrilla activity in rear areas may warrant forming supply convoys and providing them with additional protection and communications. Such measures are normally coordinated by the brigade S4.
 - (b) Although the brigade S4 coordinates the activity and displacement of the brigade trains and supervises the local security of the entire trains area, he does not have the staff nor is it his mission to control all support activities in the brigade trains area. Combat battalions deal directly with the support command elements in the brigade trains area for supply, maintenance, and services. The brigade S4 keeps abreast of the logistic situation and may establish priorities when necessary. Normally, however, activities of the battalion field trains are performed by the battalions without their going through or being under control of the brigade S4.
- (3) Each battalion support platoon leader keeps the brigade S4 informed of the battalion logistic situation in general in his capacity as battalion assistant S4. He also keeps the brigade S4 informed of the number of trucks in battalion field trains and the loads on the trucks.
 - (4) Logistical reports of attached battalions and separate units, such as special ration requirements, battle losses, and daily records of issues of gasoline and oils, are normally forwarded without consolidation through the brigade S4 to the division support command. This procedure provides the brigade S4 with logistic information. It also expedites the forwarding of reports because the battalions do not have a direct radio link to the division support command or its elements, whereas the

brigade is in the division administrative/logistics net.

b. Offense. In general, brigade trains are kept as far forward as practicable. They move by bounds to support the combat elements. Parts of the brigade trains must perform organizational and direct support maintenance of equipment, cook rations, and operate division clearing station as well as other functions best performed when stationary. Each move must be evaluated to insure that it will improve, rather than degrade, the support of the combat elements.

- (1) In fast-moving situations such as an exploitation, envelopment, or a similar fast-moving situation, the brigade trains follow the combat elements as closely as possible. If the combat elements must halt, the trains usually occupy the center of the brigade defensive area. If the brigade attacks on two or more axes, the bulk of brigade trains normally will remain centrally located, with work parties from the maintenance battalion forward support company and battalion field trains displacing along appropriate axes. The medical company in support of the brigade is capable of establishing two clearing stations, if necessary. Control is vital in this type of operation.
- (2) If brigades are moving in column, the tactical elements of the second brigade often have road priority over the trains of the leading brigade. This restricts the movement of the trains of the leading brigade and requires careful coordination by the division staff and the two brigades.

c. Defense. In defensive action, trains are usually held further to the rear than in offensive operations, and the bulk of the battalion trains are normally in the brigade trains area where they will not interfere with tactical operations.

- (1) *Mobile defense.* In the mobile defense, brigade trains are so located in the defensive sector that logistic activities interfere least with tactical operations. The nature of the terrain, enemy situation, size of the defensive sector, security of the trains, and scheme of maneuver for this type of operation influence the positioning of the brigade trains. For protection the trains may be located near elements of the reserve. Supply convoys or MSR's often require tactical protection. The logistic support

plan for the mobile defense is designed to permit quick change from support of a defensive operation to support of a full-scale offensive. Axes of supply and evacuation must be designated through probable areas of offensive activity, and sufficient class III supply should be kept available to insure that the momentum of the counterattack is preserved.

- (2) *Area defense.* In the area defense, the brigade trains are located well to the rear, normally out of range of light artillery. In this type of defense, where the situation is relatively stable, the combat battalions can stock sufficient supplies to permit replenishment during periods of reduced visibility only. Support command elements may furnish maintenance support from the division area by sending contact teams to the brigade rather than locating a forward support company with brigade trains. Normally, only the battalion aid station and elements of the battalion maintenance platoon are kept in the battalion combat trains. The rest of the battalion trains are in the brigade trains area.

d. Retrograde Operations. A retrograde movement requires detailed tactical and logistic support plans, the execution of which is carefully controlled and supervised by each responsible commander. The

size of the trains with the combat units is held to a minimum. The location and movement of logistic support units are carefully planned so as not to interfere with the movements of the combat units.

- (1) *Withdrawal.* Whenever possible, the brigade trains displace to the rear before the combat elements begin their rearward movement. On occasion it is necessary for elements of the brigade trains to remain forward with the tactical elements to provide immediate support.
- (2) *Delaying action.* Protection and control are particularly important in the delaying action. The brigade trains normally withdraw to the rear of the next delaying position early, preferably during hours of darkness. Stockpiling on positions helps provide adequate supply. The battalions normally retain only the battalion aid station and elements of the battalion maintenance platoon in their combat trains. During this type of operation the brigade trains are very large, and the brigade S4 insures that sufficient road space is allotted to move the trains. When the brigade trains are not moving, they are dispersed to reduce vulnerability to nuclear attack.
- (3) *Retirement.* The logistic support for a retirement is identical to that normal to a tactical march.

Section IV. BATTALION TRAINS

17. Mission

The battalion trains provide continuous logistic support to the battalion and its attachments.

18. Organization

All battalion or battalion task force trains contain a battalion support platoon, a maintenance platoon, and battalion medical section or platoon. Typical battalion trains composition is shown in figure 3.

a. Support Platoon. The support platoon is organized with a platoon headquarters, a transportation section, a battalion supply section, and a battalion mess section.

- (1) *Transportation section.* The transportation section is organized and equipped with the personnel and trucks required to transport supplies from supporting supply or distribution points to the companies of the battalion.

- (2) *Supply section.* The supply section is organized and equipped to receive supply requests (except for repair parts) from the companies and prepare and forward battalion requisitions to the supply and transport battalion. Upon receipt of supplies, this section stores and distributes the supplies within the battalion.
- (3) *Mess section.* The mess section is organized and equipped to receive class I supplies and to prepare and deliver meals to all units assigned or attached to the battalion.

b. Maintenance Platoon. The maintenance platoon performs organizational maintenance, provides repair parts, and accomplishes battlefield recovery and evacuation of battalion equipment. The number and type of personnel and vehicles vary with the composition of the battalion as task organized for combat. The battalion maintenance (or motor)

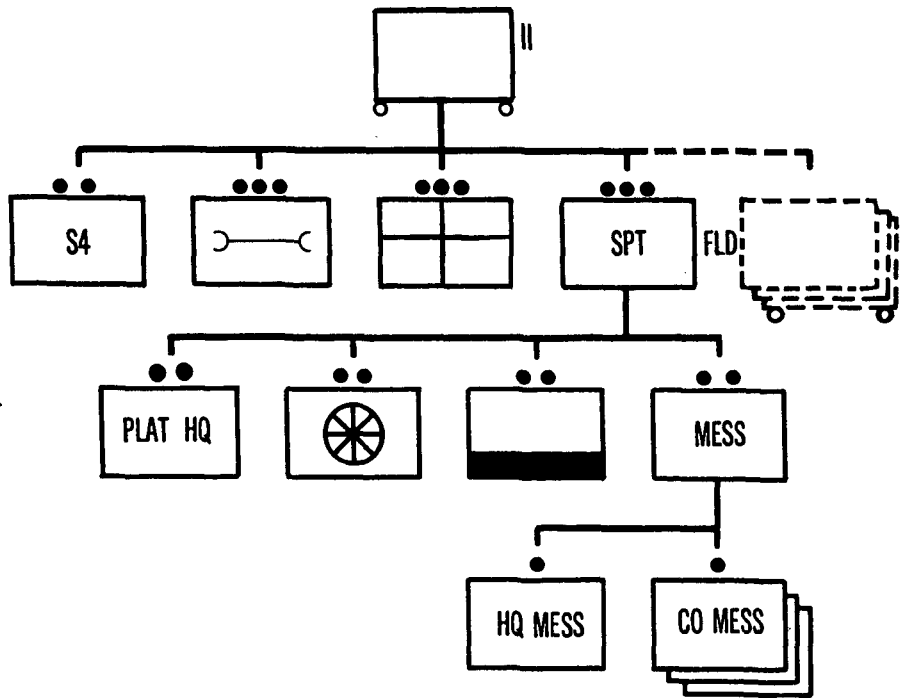


Figure 3. Composition of battalion trains.

officer is located in the staff section of the battalion headquarters. The battalion maintenance officer plans and supervises the employment of the battalion maintenance elements and advises the commander on all maintenance matters with the exception of medical and signal items. For these excepted items, the responsibility rests with the battalion surgeon and battalion communications officer, respectively.

c. *Medical Section.* A medical section or platoon is an organic part of the headquarters of each battalion of the division, except the signal, maintenance, and supply and transport battalions. Medical sections or platoons are organized with the essential personnel, equipment, transportation, and communications to provide medical aid personnel to the companies, emergency medical and surgical treatment, and evacuation of patients from the companies to the battalion aid station. Patients are treated at the battalion aid station and either returned to duty or further evacuated.

19. Capabilities

The battalion trains provide logistic support to the battalion to include the following:

- a. Organizational maintenance.
- b. All classes of supply.

c. Medical aid station, including medical aid-evacuation team to each company. Company medical air-evacuation teams are not included in the aviation battalion.

d. Transportation for logistic support.

e. Evacuation for damaged and captured materiel and salvage.

f. Battalion mess facilities.

20. Employment

The battalion (battalion task force) trains normally operate as combat trains and field trains, (fig. 4). The composition of battalion (battalion task force) combat trains and field trains varies with the mission, tactical situation, and such other factors as terrain, weather, and time and space considerations. The battalion S4 is responsible to the battalion commander for planning, coordinating, and supervising the logistic support activities in the battalion including the control of battalion trains. The battalion commander also has a surgeon, a maintenance officer, and a communications officer to assist him in discharging his logistic responsibilities. Other elements of the headquarters and headquarters company may be used to assist the battalion S4 with the activities of the battalion trains.

a. The battalion combat trains are normally located near the battalion command post and are under the direct control of the battalion S4. Normally the battalion combat trains consist of major elements of the battalion maintenance platoon or section, medical platoon or section, and the ammunition and fuel and lubricant vehicles of the battalion support platoon required for the immediate support of combat operations.

b. The battalion support platoon leader, as the assistant S4, controls the battalion field trains which are located in the brigade trains area. Bat-

talion field trains consist of those vehicles, personnel, and equipment not required for the immediate support of combat operations, and generally include kitchen, ration, water, equipment, administrative, fuel and lubricant, and ammunition vehicles not required in the combat trains. The majority of the support platoon elements normally operate from battalion field trains. A small part of the battalion maintenance platoon, such as a repair truck and a vehicle from the battalion medical section with appropriate personnel, may be left with the battalion field trains.

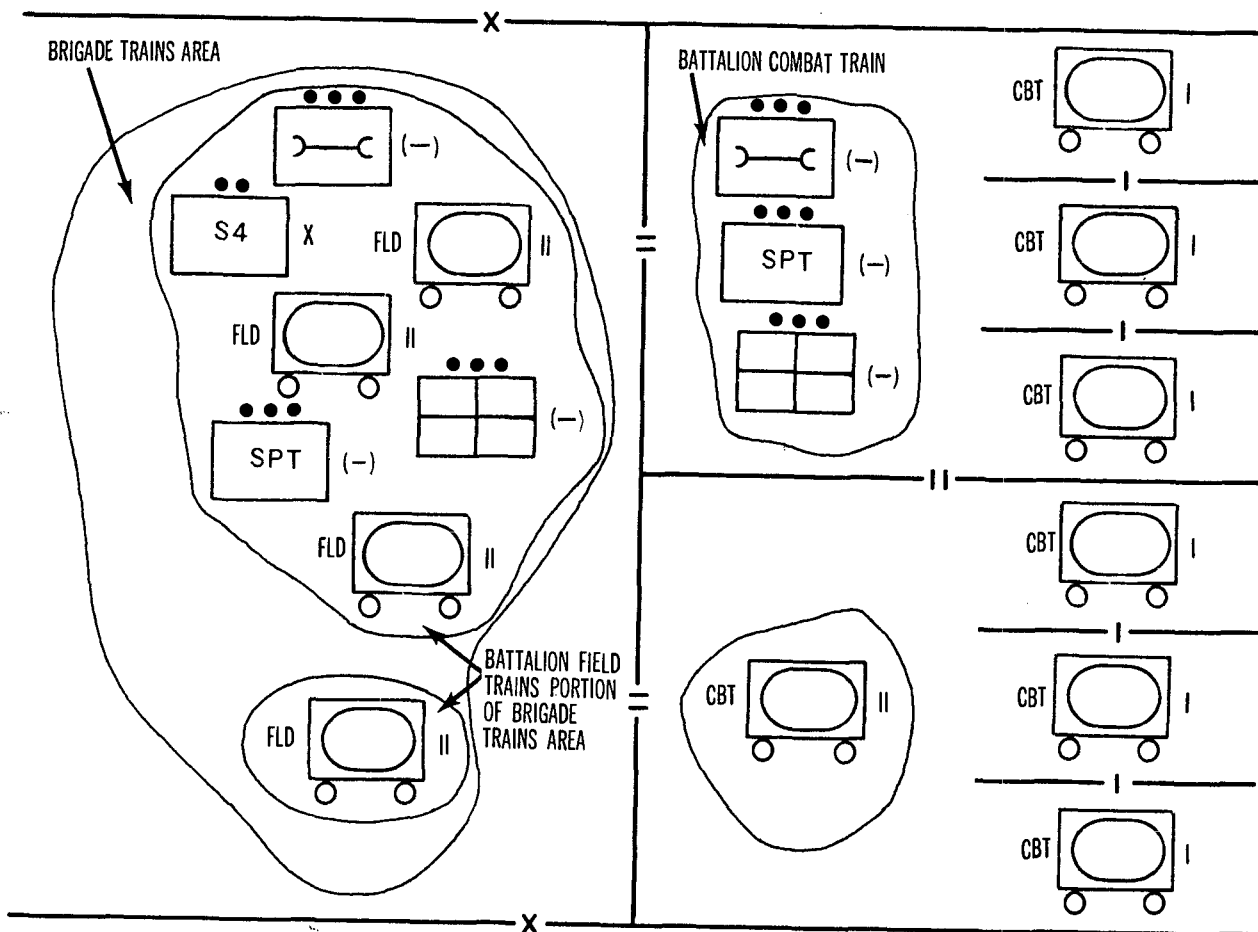


Figure 4. Typical deployment of tank battalion trains units.

Section V. COMPANY TRAINS

21. Mission

The company trains provide continuous logistic support to the company.

22. Composition and Employment

Company trains consist of the company administrative and supply section, the company maintenance section, the attached medical aid- evacuation team, and supply vehicles.

a. Company trains may be classified as company combat trains and company field trains.

- (1) *Company combat trains.* The company combat trains consist of the company maintenance section and the attached medical aid- evacuation team, together with those supply vehicles that are attached to or placed in support of the company from the battalion support platoon. The company

combat trains normally remain with the company.

- (2) *Company field trains.* The company field trains consist of the administrative and supply section. The company field trains make up part of the battalion field trains and are thus located in the brigade trains area.

b. An important consideration in company, troop, and battery logistics is that each vehicle in the unit carries a prescribed load of rations, repair parts, water cans, fuel and lubricant containers, and part of the unit's basic load of ammunition, as appropriate.

c. A company detached from the parent battalion is accompanied by a company mess team and a proportionate share of the battalion's ammunition and fuel and lubricant supply vehicles in addition to its attached medical aid- evacuation team.

Section VI. DIVISION MILITARY POLICE COMPANY

23. Mission

The division military police company provides military police support to the division, to include—

- a. A provost marshal section for the division special staff.
- b. Traffic control through the operation of traffic control posts (TCP's) and motor patrols.
- c. Operation of division prisoner of war collecting points and evacuation of selected PW's from brigade to division.
- d. Crime prevention and investigation.
- e. Circulation control of individuals, including the operation of a division straggler collecting point when required.
- f. Escort and security of sensitive materiel, key installations and facilities, critical movements, and designated personnel.
- g. Security of division main and tactical command posts.
- h. Enforcement of military laws, orders, and regulations.
- i. Assistance to commanders in the maintenance of discipline.
- j. Operation of a temporary confinement facility for U.S. military personnel when required.
- k. Operation of a civilian internee collecting point when required.

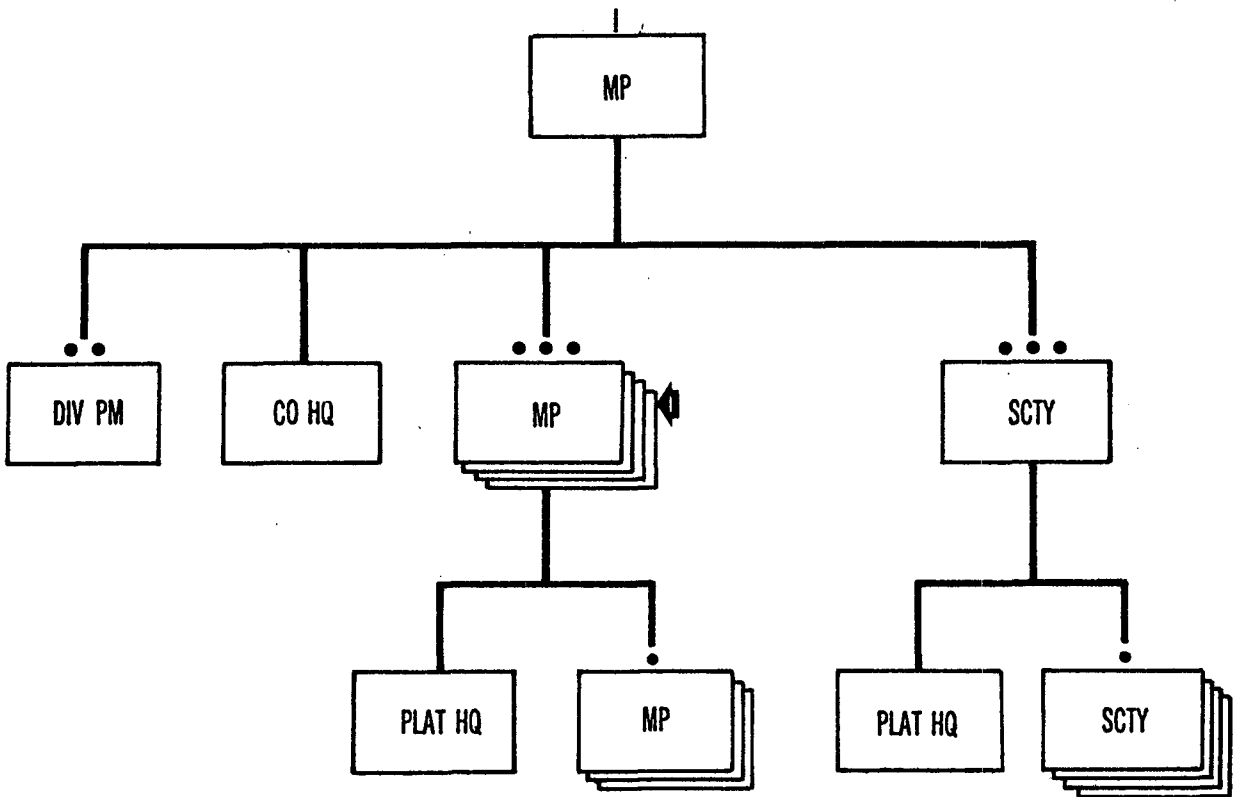
24. Organization

See figure 5.

25. Employment

The division military police company is employed normally under the operational control of the division provost marshal. The company is flexible and can be tailored according to the assigned mission and the tactical situation. Normal employment of the subordinate elements is as follows:

- a. The security platoon is ordinarily committed as part of the local and internal ground protection for the division main and tactical command posts.
- b. A military police platoon tailored as dictated by the mission is normally employed in general support of each committed brigade to provide military police support on an area basis. Platoons may be attached to or placed in direct support of committed brigades as dictated by the tactical situation. Attachment is the normal employment in the case of a brigade operating independently.
- c. One military police platoon is employed to operate a PW collecting point, a straggler collecting point, a civilian internee collecting point, and a temporary confinement facility for military prisoners. The platoon also evacuates selected PW's from brigade to division as required.
- d. One military police platoon is normally employed to provide general military police support



► Airborne Division Military Police Company has three Platoons.

Figure 5. Division military police company.

on an area basis in the division rear area, including the division support area. When three brigades are committed and a military police platoon is required to support each, additional military police units are

requested from corps or army to provide military police support in the division rear area.

e. Further details of employment are contained in FM 61-100 and the 19-series field manuals.

CHAPTER 3

ORGANIZATION OF DIVISION SUPPORT COMMAND

Section I. HEADQUARTERS, HEADQUARTERS COMPANY AND BAND, DIVISION SUPPORT COMMAND

26. General

The headquarters, headquarters company and band of the division support command is made up of the command and staff facilities for the operation of the support command as well as the company headquarters and the band.

27. Organization

Organization of headquarters, headquarters company and band, division support command, is shown in figure 6.

28. Employment

The support command headquarters, headquarters

company and band operates two principal control elements, the support command headquarters and the headquarters company. The support command headquarters provides personnel and equipment for the command supervision and control of division logistic support operations, except military police. The headquarters company provides personnel and equipment for the internal command and administrative support for the support command headquarters and the band.

a. In the armored, infantry, and mechanized divisions, the company has a division ammunition officer (DAO) to control the provision of class V

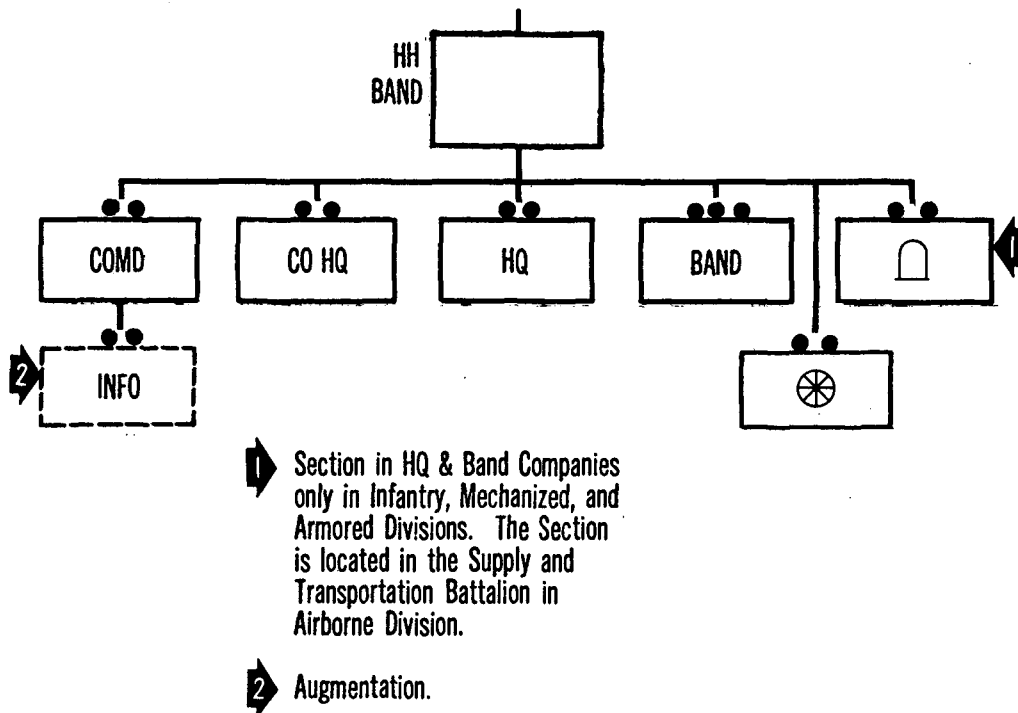


Figure 6. Headquarters, headquarters company and band, division support command.

supply within the division. In the airborne division, the DAO is in the supply and transport battalion.

b. Chaplains assigned to the support command headquarters normally are not assigned or attached to subordinate units, but provide religious coverage throughout the support command as required. The support command chaplain insures that adequate religious coverage is provided all division medical clearing station personnel. Religious coverage is normally provided by the brigade chaplain to the patients being evacuated through the forward clearing stations.

c. The primary mission of the division band is to

provide military and recreational music under operational control of the division adjutant general. It may also be employed in appropriate security and combat duties and to provide guards, supply handlers, litter bearers, guides, messengers, and labor details as directed by the support command commander.

d. The division transportation section in the support command headquarters provides staff transportation functions for the division commander, coordinating with the G3 and G4. The section plans and supervises transportation operations and exercises technical supervision over transportation activities of the division.

Section II. ADMINISTRATION COMPANY

29. General

The division administration company has certain personal and special staff sections which provide personnel and administrative service support to the division and its attachments. The company also provides electrical accounting equipment (punch card and transceiver) services and organizational maintenance of such equipment.

30. Organization

Organization of the division administration company is shown in figure 7.

31. Employment

The administration company provides those division personal and special staff sections which normally remain with the division rear echelon (para 58). This company also provides the division chaplain who normally is located at division main. He coordinates the collective efforts of division chaplains in providing denominational coverage, as required. The company operates under the general staff supervision of the division G1, and under the support command commander for unit administration, tactical training, and tactical operations. The

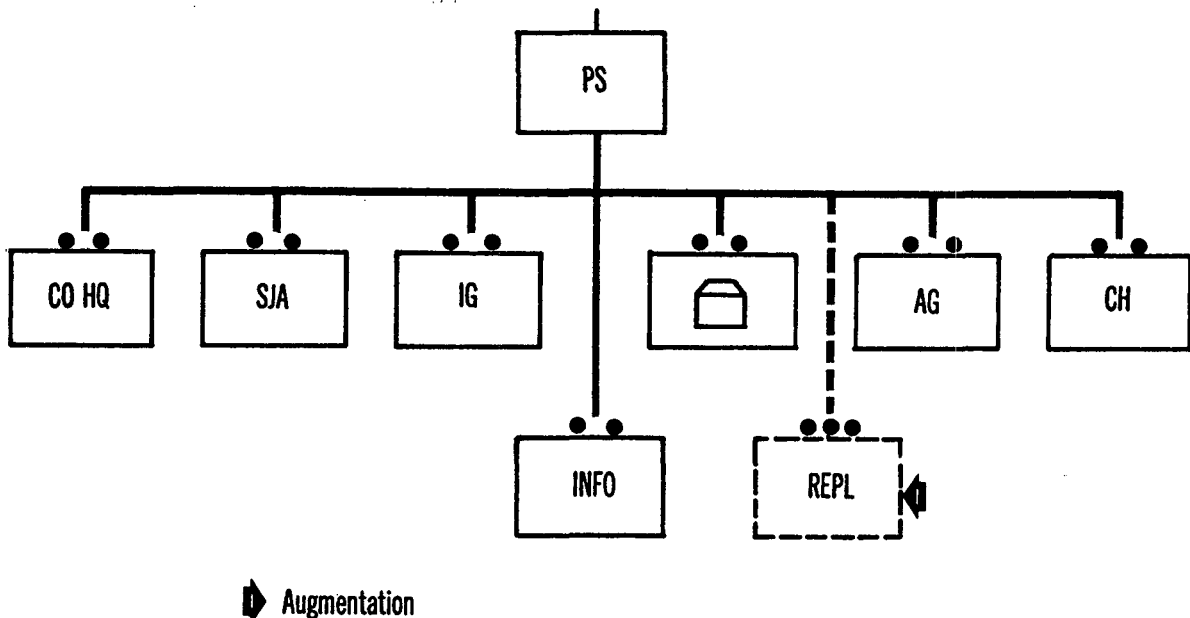


Figure 7. Division administration company.

company headquarters section performs the normal functions of a company headquarters, including mess and supply. The division personal and special staff officers assigned to the company (adjutant general, finance officer, inspector general, staff judge advocate, chaplain, and information officer) operate in accordance with staff procedures and doctrine set

forth in FM 101-5. The adjutant general section included within the company also provides centralized personnel service, postal service, special service support, and, when properly augmented, replacement support for the division. For details of the employment and functions of the administration company see FM 12-11.

Section III. MEDICAL BATTALION

32. General

The division medical battalion provides division level medical service to the division to include—

- a. Operation of division clearing stations with a limited short-term holding capacity.
- b. Ambulance evacuation of patients from unit medical treatment facilities.
- c. Medical supply and organizational maintenance of medical equipment.
- d. Emergency dental treatment.
- e. Limited psychiatric service.

33. Organization

Organization of the division medical battalion is shown in figure 8.

34. Employment

The medical battalion is assigned to the support command. The three medical companies are capable of operating ambulance and clearing stations in support of the brigades. Normally, a clearing station will be operated by each company for the unit that it supports. Each medical company can operate two clearing stations for displacement and short duration operations. The headquarters and support company ambulances and clearing station normally operate in the division support area to support division troops and the support command. Medical units normally furnish support on an area basis. For details of the operation of the medical battalion see FM 8-15.

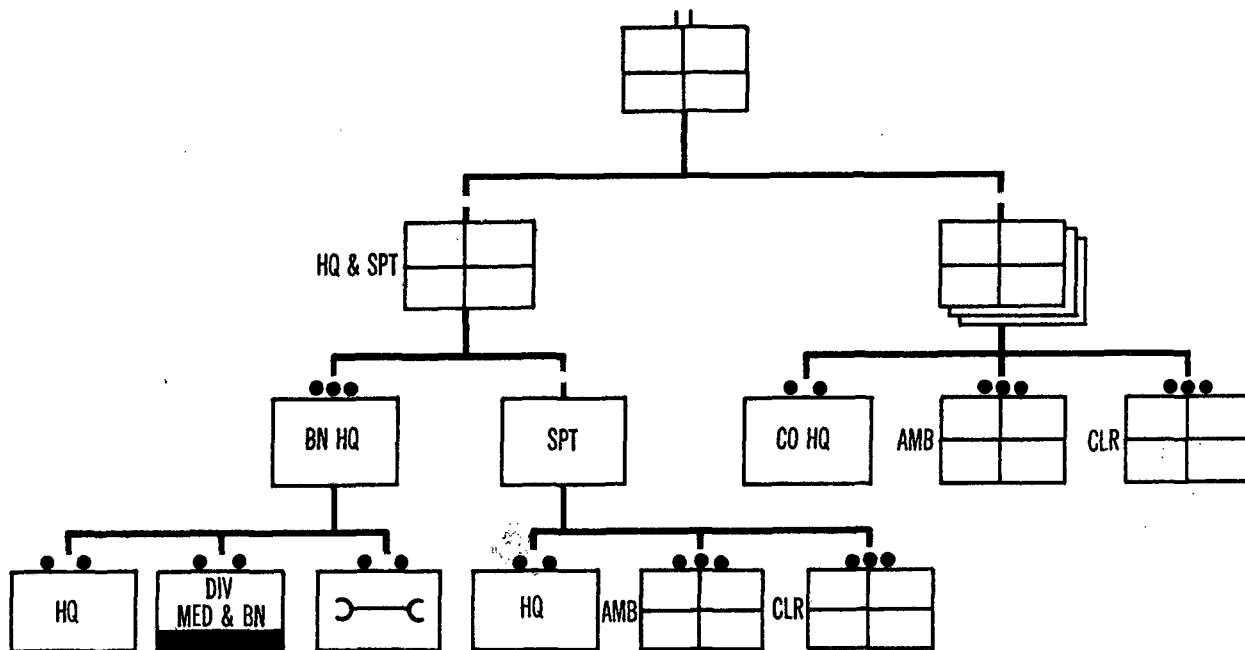


Figure 8. Division medical battalion.

Section IV. SUPPLY AND TRANSPORT BATTALION

35. General

The supply and transport battalion is responsible for supplying the division and its attachments with all items of supply except class V, medical supplies and equipment, aircraft parts and supplies, cryptographic materiel, water, repair parts, and airdrop equipment. The airborne division supply and transport battalion's responsibility also includes the supply and control of class V supplies. In addition, the battalion provides—

a. Reserve stocks of classes I and III, and selected fast moving classes II and IV supplies in all divisions, and reserves of class V supply in the airborne division.

b. Transportation for logistic support operations.

c. Transportation for tactical movement in the infantry and airborne divisions, when required.

d. Bath facilities when properly augmented and, when practical, clothing exchange service.

e. Map supply.

f. Graves registration service, when properly augmented.

g. A division salvage collection facility.

h. Limited purchasing and contracting.

i. Coordination for laundry and exchange services.

j. Limited capability for rigging supplies and equipment for resupply by air.

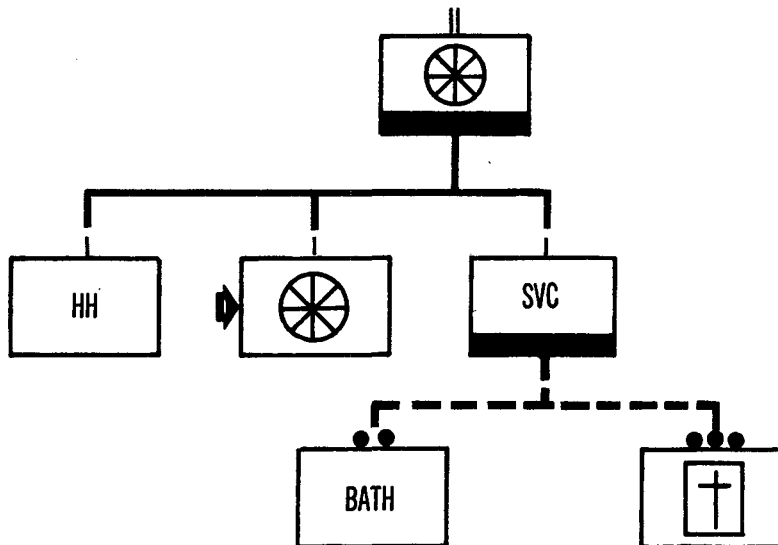
k. Advice to division units on food service matters.

36. Organization

Organization of the division supply and transport battalion is shown in figure 9.

37. Employment

The supply and transport battalion provides and operates distribution points for classes I and III supplies in the brigade trains areas as well as in the division support area. On request, classes II and IV supplies are delivered by the support command to forward class I supply distribution points for issue.



▶ Because the Supplies required by the Armored, Mechanized, Infantry, and Airborne Divisions generally decrease in that order, the Personnel Strength and Trucks of the Transportation Company decrease slightly in the same order. Motor Transportation Company is Augmentation to Airborne Division.

LEGEND

----- Augmentation

Figure 9. Division supply and transport battalion.

Selected classes II and IV supplies may also be stocked at forward class I supply distribution points. Division reserve stocks of classes I, II, III, and IV supplies are maintained in the division support area. In the airborne division the DAO is in the battalion and, when necessary, provides and operates ammunition dumps in an airborne operation.

a. Supply and transport elements from the battalion may be attached to or placed in support of divisional units operating in independent or semi-independent missions. When properly augmented, the battalion provides bath unit support on an area

basis. The battalion, when properly augmented, provides graves registration support in each brigade area to receive, identify, and arrange for evacuation of dead to the division collection point. It also provides a graves registration collection point in the division support area.

b. In the infantry and airborne divisions, corps or army transportation units must be provided if combat units are to be moved in a single lift.

c. For details of the operation of the supply and transport battalion, see FM 10-50.

Section V. MAINTENANCE BATTALION

38. General

The maintenance battalion provides direct support maintenance for the division and its attachments to include—

a. Direct support maintenance for all materiel except medical, electrical accounting, quartermaster airdrop, and cryptographic equipment.

b. Obtaining, accounting for, and issuing selected maintenance float items.

c. Supply of repair parts.

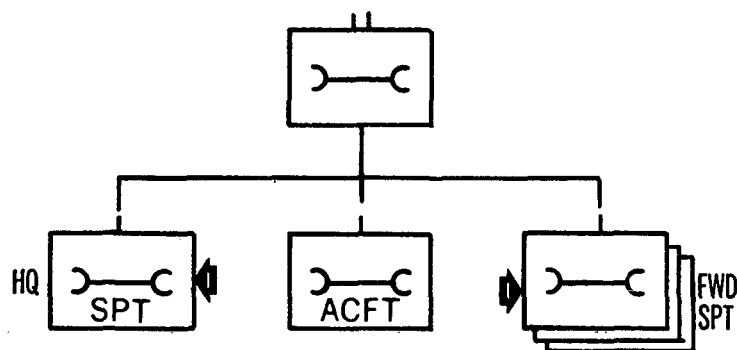
d. Operation of maintenance collection points and provision of evacuation service.

39. Organization

Organization of the division maintenance battalion is shown in figure 10.

40. Employment

Direct support maintenance, to include a limited materiel recovery and evacuation capability, is provided each brigade by a forward support company in the brigade trains area. The forward support company is reinforced as required by elements of the headquarters and main support company of the maintenance battalion. The headquarters and main support company operates in the division support area, providing direct maintenance support to the



▶ Because the Maintenance required by the Armored, Mechanized, Infantry, and Airborne Divisions generally decreases in that order, the Personnel Strength of these Units decreases in that order. Forward Support Maintenance Units are Detachment Size in Airborne Divisions.

Figure 10. Division maintenance battalion.

division elements not supported by the forward support companies as well as backup maintenance support to the forward support companies. The headquarters and main support company operates the main division maintenance collection point and

provides evacuation assistance to support units when required. The aircraft maintenance company provides direct support maintenance for organic and attached division aircraft at airstrips and helicopter operating sites.

Section VI. DIVISION DIRECT SUPPORT MAINTENANCE COMPANY

41. General

The division direct support maintenance company performs limited evacuation service and direct support maintenance that exceeds the capabilities of the division maintenance battalion, with the exception of medical, cryptographic, ADPS/EAM, or airdrop equipment or aircraft, small arms, instruments, or ammunition.

a. This company is a part of the corps support brigade general support group maintenance battalion. However, the company normally operates in the division area with mobile contact teams to assist the division maintenance battalion. Backup maintenance support for the company is provided by the general support maintenance battalion of the corps support brigade general support group.

b. The division direct support maintenance company has a headquarters section, a shop office, a supply section, a service and evacuation section, and a maintenance platoon. The maintenance platoon has a mechanical maintenance section, an electronics maintenance section, and an armament maintenance section.

- (1) The shop office may be integrated into the shop office of the supported division maintenance battalion headquarters and main support company. Likewise, personnel of the supply section may be integrated into the supply platoon of the supported headquarters and main support company.
- (2) The service and evacuation section of the supply platoon provides welding and machining services to other elements of the company. It also evacuates heavy items, provides heavy lift support, and repairs canvas and leather items.
- (3) The maintenance platoon, by means of its three operating sections, provides contact teams for backup direct support maintenance

of the division maintenance battalion.

42. Operations

The division direct support maintenance company provides the necessary backup direct support maintenance for one combat division. This company is equipped to operate in small contact teams that are completely mobile. Normally, these teams work within the division maintenance battalion area or within the using unit area as requested by the division maintenance battalion.

a. The company supplements the direct support maintenance capability of the division to the degree that virtually all of the overflow direct support maintenance work of the division is accomplished in the division area. In effect, only actual general support work needs to be evacuated outside of the division area to the general support group supporting the division. Additionally, elements of this company assist the division maintenance battalion by providing technical assistance and maintenance instructional service to using units of the division as requested through the maintenance battalion commander or his representative. The unit also assists the division maintenance battalion in the recovery and evacuation of materiel.

b. The division direct support maintenance company performs only direct support maintenance, and it normally supports only one customer—a division. The division maintenance battalion elements will furnish the contact elements of this company special tools, shop set components, and other items needed in the accomplishment of the supplementary support mission. In an emergency, the company can reconstitute or temporarily replace a division forward support maintenance company or the headquarters and main support company of the division maintenance battalion.

Section VII. AIR EQUIPMENT SUPPORT COMPANY (AIRBORNE DIVISION ONLY)

43. General

The air equipment support company is organic to the supply and transport battalion of the airborne division support command. This company requisitions, receives, stores, and issues airdrop equipment. It is capable of receiving and stockpiling sufficient airdrop equipment for packing, rigging, and loading supplies and equipment prior to an airborne operation, to include the accompanying supplies that are dropped by parachute. In addition to the above, the company—

- a. Inspects and packs parachutes.
- b. Provides organizational maintenance for airdrop equipment.
- c. Supervises and assists in the evacuation of airdrop equipment after a drop.
- d. Provides technical assistance in the packing, rigging, and loading of supplies and equipment for airdrop.

44. Organization

Organization of the airborne division air equipment support company is shown in figure 11.

45. Employment

The company operates in support of the division in garrison or in the departure area and accompanies the division on administrative moves. Once the division is committed, the continuing daily airdrop

requirement is provided by an army aerial supply company.

a. The air equipment support company provides technical assistance to units of the airborne division preparing for an airborne operation.

- (1) The supply and maintenance platoon requisitions, stores, and issues airdrop equipment, maintains supply records, and inspects and assembles rigging components and related equipment. The platoon also performs organizational maintenance on the airdrop equipment and, when required, attaches parachute assemblies to cargo and assists in packing of personnel and cargo parachutes.
- (2) The packing platoon inspects and packs cargo and personnel parachutes. It inspects cargo parachute assemblies and may assist jumpmasters in inspecting the fit of personnel parachutes. Personnel of the packing platoon may accompany the assault echelon to provide technical assistance in the recovery and evacuation of airdrop equipment.
- (3) The airdrop delivery platoon performs heavy cargo parachute packing and supervises the platform load rigging and preparation of aerial delivery containers.

b. For details of the operation of the airborne division air equipment support company, see FM 10-8.

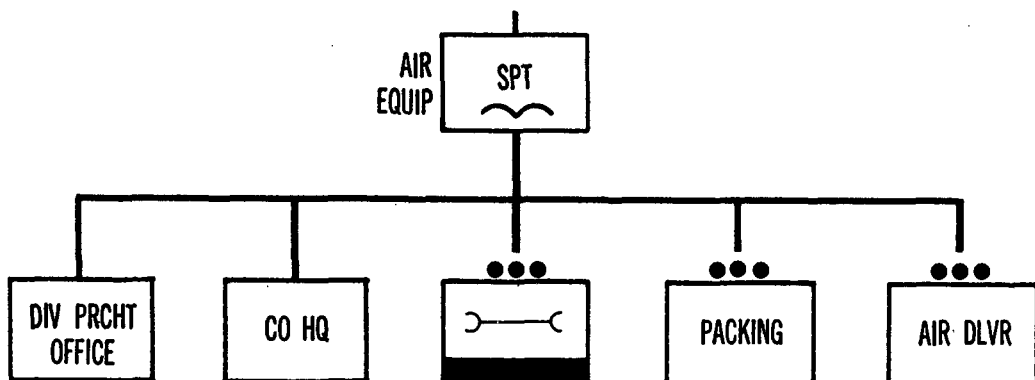


Figure 11. Airborne division air equipment support company.

CHAPTER 4

DIVISION SUPPORT COMMAND STAFF

46. Command and Control

Logistic support operations are planned and controlled to insure that essential tasks are performed, that the priorities in which they are performed correspond to the tactical situation, that the logistic support system is immediately responsive to changes in the situations of supported units, and that resources are efficiently used.

47. Support Command Commander

The division support command commander has both command and logistic support responsibilities.

a. Command. The support command commander commands organic and attached units of the division support command; however, he does not exercise operational control of the administration company.

- (1) He exercises tactical control of all division support command units located in the division support area. Support command units in the brigade areas, however, are under the tactical control of the brigades, or are attached to them as required by the situation.
- (2) He organizes the movement and directs the disposition of the division support command within the division area in accordance with the tactical plans. This duty requires coordination with G3 and G4 concerning current and proposed locations and movement of all support command units.
- (3) He is responsible for training of personnel and units of the support command, except that division special staff sections provided by the administration company are given technical training by their respective special staff officer.
- (4) The support command commander recommends priorities for air defense of the logistic support facilities.
- (5) He coordinates and implements assigned rear area security and area damage control plans for logistic support units, installa-

tions, and essential routes in the division support area.

- (6) He supervises routine administration and supply within the units of the division support command.

b. Logistic Support. The division support command commander is the principal logistic operator of the division.

- (1) He advises the division commander and staff on supply, maintenance, and services and the conduct of these logistic functions throughout the division.
- (2) He supervises and controls combat service support operations of the division, except military police, civil affairs, division level personnel administration, and the issue, maintenance, and repair of cryptoequipment EAM items and other than organizational maintenance of medical equipment.
- (3) He conducts inspections to determine the fitness of the division support command and attached units to function in the field.

48. Orders and Instructions

Separate administrative orders will normally be unnecessary at division level and below. The division support command commander normally furnishes administrative and logistic information to the division G4 for inclusion in administrative/logistic annexes or overlays to division plans or orders. The support command commander publishes instructions to his own command by means of support command orders. Matters which may be reduced to routine are the subject of standing operating procedures.

49. Staff Composition

The support command commander has a coordinating unit or S-staff and a small special staff. Moreover, the division transportation officer and division ammunition officer are under his command and

control. The division support command commander may designate other personnel of the support command to represent him in advising the division commander and staff in technical areas. In addition, he may group technicians in or near the support command command post to facilitate coordination and to expedite logistic support operations. The staff relationships and the common and specific responsibilities of the unit staff and the special staff are as described in FM 101-5.

50. Support Command Staff Responsibilities and Functions

The organization of the support command unit staff parallels that of the brigades. The unit staff consists of the executive officer and the S1, S2, S3, and S4. The support command commander is also assisted by a small support command special staff. The support command headquarters and headquarters company furnishes a support command chemical officer and a chaplain.

a. Executive Officer. The support command executive officer is the principal assistant and adviser to the support command commander. His functions and responsibilities are similar to those of a chief of staff. He directs, supervises, and integrates the work of the support command staff and establishes liaison with other units. He acts for the support command commander during the temporary absence of the latter or when required to do so. He is prepared to assume command of the support command at any time. As an additional duty, the executive officer is also the information officer for the support command.

b. Personnel Staff Officer, S1. The personnel staff officer, S1, is the principal staff assistant on personnel matters including maintenance of unit strengths, personnel and manpower management, morale and welfare, headquarters management, and discipline, law, and order.

c. Intelligence Staff Officer, S2. The intelligence staff officer, S2, is the principal staff assistant on intelligence matters. He has staff responsibility for keeping all concerned fully informed on matters pertaining to combat intelligence and counterintelligence. He collects, evaluates, and interprets information to determine the effect of weather, terrain, the enemy, and the civilian population on the logistic support mission.

d. Operations Staff Officer, S3. The operations staff officer, S3, is the principal staff assistant and exercises staff responsibility for activities pertaining primarily to—

- (1) Development of plans, policies, programs, and procedures pertaining to the operations and functions of the support command.
- (2) Organization of the support command for logistic support operations.
- (3) Selection and allocation of units needed to support the mission of the support command based on requirements as determined by the S4.
- (4) Planning and supervising the allocation of support command units for specific missions.
- (5) Coordination of the plans of organic and attached units for logistic support to be provided by the support command. In addition, he prepares plans and recommends priorities for services to be rendered by the support command.
- (6) Recommendation of priorities to govern the allocation of weapons and equipment in short supply to units of the support command.
- (7) Conduct of inspections of support command units, installations, and activities.
- (8) Planning and supervising training of support command units.
- (9) Planning and supervising support for special warfare operations (unconventional warfare, psychological operations, and counterinsurgency operations).
- (10) Planning and supervising defense against chemical, biological, and nuclear attack; air defense; and defense against unconventional and psychological warfare operations. The operations officer prepares the rear area security and area damage control plans for security of the division support area and the lines of communication, as required; insures that the plans are compatible with the division operation plan; secures the approval of the commander on the plans; and supervises their execution.
- (11) Planning, coordinating, and supervising civil affairs activities, as necessary.

e. Logistics Staff Officer, S4. The logistics staff officer, S4, is the principal staff assistant and exercises staff responsibility for activities pertaining primarily to—

- (1) Providing information to the S3 for plans, policies, programs, and procedures pertaining to the logistic operations and functions of the support command.

- (2) Determining logistic requirements for supported forces and the support command.
- (3) Planning and supervising supply, services, maintenance, and medical support rendered by the support command.
- (4) Allocating weapons, munitions, and equipment to units of the support command in accordance with the priorities recommended by the operations staff officer.
- (5) Requisitioning, receiving, storing, distributing, and documenting supplies and equipment and their maintenance and repair.
- (6) Recommending additions to or deletions from the Controlled Items List and establishing procedures for control of items on this list.
- (7) Coordinating maintenance and repair services provided by the support command.
- (8) Collecting and disposing of excess, surplus, salvage, and captured materiel.

f. Support Command Chemical Officer. The responsibilities, functions, and relationships of the chemical officer of the support command are as delineated in FM 101-5 except that the support command commander is responsible for the following operative functions:

- (1) Determination of the requirements for, and the requisitioning, procurement, distribution, storage, and documentation of chemical supplies, munitions, and equipment.
- (2) Supervision of maintenance of chemical equipment.
- (3) Recovery, evacuation, maintenance, and reclamation of chemical materiel beyond the capabilities of using units.
- (4) Advising the support command commander on CBR operations as they affect the support command.
- (5) Advising the support command commander and staff on the division-wide aspects of chemical supply and maintenance operations performed by the support command.

g. Support Command Chaplain. The responsibilities, functions, and relationships of the support command chaplain are as indicated for the chaplain in FM 101-5.

51. Other Elements of the Support Command Headquarters

The division transportation officer and division ammunition officer are also provided by the support

command. These staff officers have certain operational as well as staff functions.

a. Division Transportation Officer. The division transportation officer, as a member of the support command headquarters and headquarters company, functions under the command of the support command commander in providing advice, staff supervision, and assistance in transportation matters. General functions and responsibilities are as stated in FM 101-5.

- (1) *Coordination with G3 and G4.* Because the division G3 and division G4 exercise primary division staff responsibility for tactical and administrative movements, working relationships between the division transportation officer and those staff officers must exist.

- (a) The support command commander will normally authorize the transportation officer to assist the G3 and G4 in the accomplishment of routine functions within clearly defined bounds without prior consultation with him. In these cases, the transportation officer must keep the support command commander informed of any commitments of support command resources and must maintain an adequate level of coordination with the support command staff.
- (b) In transportation matters that have a significant impact on the support command or the ability of the support command commander to accomplish the logistic support of the division, the support command commander usually retains authority for approval prior to action by the division transportation officer. The limits of the delegated authority must be specifically defined by the support command commander.

- (2) *Responsibilities of the transportation officer.* Responsibilities of the transportation officer include the following:

- (a) *Advice on transportation matters.* The transportation officer is the principal adviser to the support command commander concerning operations of surface transportation units. The support command commander normally designates the division transportation officer to represent or assist him in advising the division commander and staff on surface transportation matters.

- (b) *Transportation capabilities.* As directed or authorized by the support command commander, the division transportation officer provides information to both the G3 and G4 sections as to the transportation capabilities of divisional units, including the support command and any attached units.
- (c) *Tactical movements.* As directed or authorized by the support command commander, the division transportation officer provides assistance to the G3 concerning transportation requirements and capabilities for tactical movements.
- (d) *Technical data.* As directed or authorized by the support command commander, the division transportation officer advises the G3 on the technical aspects of movement and prepares march tables and graphs as required. He also prepares overall loading plans for administrative movements, and for tactical movements if time permits, based on the division operation orders.
- (e) *Operating procedures.* The division transportation officer recommends operating procedures for the transportation units. On direction of the support command commander, he may assist other divisional units and headquarters in the preparation of the transportation portions of their operating procedures.
- (f) *Control of transportation units.* The support command commander assisted by the transportation officer, controls the surface transportation units assigned or attached to the division for logistic support; he provides surface transportation to assist in tactical and administrative movements, when required. The division transportation officer maintains statistical data and recommends the employment and priorities of use of transportation units. He also assists in the preparation of plans pertaining to assigned or attached transportation units and in the execution of these plans. The division transportation officer, in coordination with the division aviation officer, supervises the employment of Army air transport for logistic support and integration of Army air transport with other modes of transport for logistic support. See FM 101-5.
- (g) *Technical supervision.* Within the policies of, and authority delegated to him by, the division commander, the support command commander exercises technical supervision over transport (except Army aircraft), to include training, throughout the division. This task is normally performed for him by the division transportation officer.
- (h) *Determination of transportation requirements.* The division transportation officer coordinates transportation requirements and, based on operation plans prepared by the general staff, requests necessary support to meet those requirements which are in excess of division capabilities. He prepares emergency transportation plans to meet requirements for vehicles that exceed the capability of the support command.
- (i) *Movements control.* Control of movements, to include selection of routes, highway regulation, and preparation of march order annexes pertaining to highway regulation is handled by the division transportation officer. He coordinates with the provost marshal on traffic control. His section, with military police assistance, prepares road movement plans and traffic circulation plans and establishes and supervises traffic headquarters that coordinates requirements for road space. In the performance of this function, the division transportation officer may use personnel from the transportation section of the supply and transport battalion or personnel for this purpose may be added as augmentation from the movements control center of the field army transportation brigade or from other sources.
- (j) *Orders.* The division transportation officer, on direction of the support command commander, prepares the transportation (movement) portion of the division operation order.
- (k) *Recommending the main supply route.* Transportation considerations in selecting the main supply route are provided the G4 by the division transportation officer.

(l) *Plan for control of civilian traffic.* As directed or authorized by the support command commander the division transportation officer assists the G5 in coordinating the civilian traffic control plan with the overall traffic regulation plan.

(m) *Evacuation of displaced persons and refugees.* G5 coordinates with G4 and the division transportation officer concerning evacuation of displaced persons and refugees by military transportation. The support command commander provides transportation.

b. *Division Ammunition Officer.* The division ammunition officer (DAO) is a member of the support command headquarters. He functions under the command of the support command commander in providing assistance in ammunition matters. Like the transportation officer, he has certain operational as well as staff functions and responsibilities. He represents the support command commander on matters pertaining to ammunition requirements and availability. He maintains liaison with the division G3 and G4 within bounds defined by the support command commander. On routine matters he may be authorized to deal directly with the G3 and G4 but in cases having significant impact on the ability of the support command to accomplish its mission, the support command commander normally retains authority for approval prior to action.

(1) *Division ammunition office.* The division ammunition officer usually operates from the support command CP where he establishes a division ammunition office to control ammunition supply for the division and attached units. In some cases it may be necessary for him or his representative to establish an ammunition control point in an area more convenient to the supported units to allow rapid authentication of unit ammunition transportation (requirements) orders (para 81).

(2) *Specific functions and responsibilities.* Specific functions and responsibilities of the DAO are as follows:

(a) *Assisting G3 and G4 in establishing required ammunition supply rates.* As authorized or directed by the support command commander, the division ammunition officer assists the division G3 and G4 in establishing required supply rates that are forwarded periodically

through command channels for approval. Assistance by the ammunition officer in this area is usually limited to technical advice concerning types and nomenclatures, of ammunition required. Quantities required are established by tactical commanders and consolidated by the division staff for forwarding.

(b) *Control of ammunition issues.* The ammunition supply system is designed for fast and informal supply and is based on possession by the units of a fixed basic load of ammunition that is replenished as used. Based upon the established available supply rate (usually announced in the division operation order for 10- to 15-day periods in terms of rounds per weapon per day), the DAO controls the distribution of ammunition to units of the division. He authenticates all ammunition transportation orders for ammunition required by using units (within the limits of the announced available supply rate). When such transportation orders are authenticated, the quantity is deducted from the corresponding item in the available supply rate. This procedure is normally carried out in 24-hour increments. The records provide information on current status of ammunition and are a means of insuring that units do not exceed the available supply rate. Procedures should be established that provide for notifying G4 and the supported unit when units exceed or approach their available supply rate limit and for waiving authentication requirements during certain emergency conditions. Nuclear ammunition is controlled based on allocations announced by division headquarters.

(c) *Reports.* The division ammunition officer is responsible for submission of periodic and special ammunition status reports as required by the operating procedures or as requested of the support command commander by G3 or G4. Detailed data concerning ammunition reporting procedures are contained in FM 9-5.

(d) *Supervision of ammunition supply activities.* The DAO, as a representative of the support command commander,

supervises the ammunition supply activities within the division including technical assistance on conventional ammunition. He assists in the maintenance of basic loads and enforcement of supply economy.

- (e) *Explosive ordnance disposal.* The DAO coordinates explosive ordnance disposal activities for the division.
- (f) *Establishment of ammunition supply units (ASP).* The DAO recommends the number and location of ASP's required to support the division. Under certain conditions, and when approved by the field army commander, the DAO may establish a division ammunition dump.

52. Staff Responsibilities of Subordinate Commanders of the Support Command

The medical, maintenance, and supply and transport battalion commanders, in addition to commanding their units, have certain support command staff responsibilities and functions.

a. Medical Battalion Commander. The staff functions of the medical battalion commander are as follows:

- (1) He advises and assists the support command commander and staff on those medical service matters for which the medical battalion is responsible.
- (2) He advises and assists the support command commander and staff in the determination of requirements for medical service support.
- (3) When directed or authorized by the support command commander, he represents the support command commander in providing advice and assistance to the division commander and staff on those medical service support operations for which the medical battalion is responsible.

b. Maintenance Battalion Commander. The special staff functions of the maintenance battalion commander are as follows:

- (1) He advises and assists the support command commander and staff on all maintenance support matters for which the maintenance battalion is responsible.
- (2) Within the policies of, and within the authority delegated to him by, the support command commander, he assists the support command commander in exercising technical supervision over maintenance

operations and training, except with respect to medical, cryptographic, and electrical accounting equipment.

- (3) When directed or authorized by the support command commander, he represents the support command commander in providing advice and assistance to the division commander and staff on those maintenance support operations for which the maintenance battalion is responsible.

c. Supply and Transport Battalion Commander. The special staff functions of the supply and transport battalion commander are as follows:

- (1) He advises and assists the support command commander and staff on supply, services, and transportation matters for which the supply and transport battalion is responsible.
- (2) Within the policies of, and the authority delegated to him by, the support command commander, he assists the support command commander in exercising technical supervision over supply, transport, and services training and operations throughout the division.
- (3) He advises and assists the support command commander and staff in the determination of requirements for supply, services, and transport.
- (4) When directed or authorized by the support command commander, he represents the support command commander in providing advice and assistance to the division commander and staff on those supply, services, and transport operations for which the supply and transport battalion is responsible.

53. Difference in Airborne Division Support Command Headquarters

Staff organization and command and staff responsibilities, functions, and relationships in the airborne division support command are generally the same as those in the armored, infantry, and mechanized divisions. Specific exceptions are as follows:

a. Support Command Commander. The support command commander has certain additional responsibilities.

- (1) He advises and assists the division commander and staff on parachute supply and maintenance, and airdrop support operations.

- (2) He advises and assists the division commander and staff in the determination of requirements for airdrop equipment required to support airborne operations.
- (3) Within the policies of, and within the authority delegated by, the division commander, he inspects and provides supported units with technical assistance in packing, rigging, and loading of supplies and equipment for airdrop.

b. Headquarters and Staff. The airborne division support command headquarters and staff vary somewhat from that of the other type divisions, as follows:

- (1) *Intelligence staff officer.* The operations staff officer, S3, also serves as the intelligence staff officer, S2.
- (2) *Division parachute officer.* The air equipment support company provides a division parachute office headed by the division parachute officer, who exercises operational control and technical supervision of the company. This office provides the necessary liaison means between the company headquarters and the office of the commander of the airborne division support command for all matters pertaining to supply and maintenance of parachutes and other airdrop items, parachute packing, and airdrop operations in support of division elements. The parachute officer—
 - (a) Plans, directs, coordinates, and supervises the parachute supply and maintenance, and airdrop operations performed by the company.
 - (b) Coordinates with tactical planners to determine airdrop equipment required to support airborne operations.
 - (c) Inspects and provides supported units with technical assistance in packing, rigging, and loading supplies and equipment for airdrop.
 - (d) May be delegated authority to represent the support command commander in providing advice and assistance to the division commander and staff on those airdrop equipment support operations for which the air equipment support company is responsible.
 - (e) May be authorized to assist the support

command commander in exercising technical supervision over airdrop equipment training and operations throughout the division for which the air equipment support company is responsible.

- (3) *Division ammunition officer.* The airborne division ammunition officer establishes and operates a division ammunition dump within the airhead.

54. Relationship of the Support Command Commander and Staff to the Division Commander and Staff

The relationships between the division commander and staff and the support command commander and staff are generally the same as those between other commanders of major subordinate elements of the division and the division commander and staff. The support command commander, assisted by his staff, coordinates with the division general staff and furnishes data for inclusion in the division operation, area damage control, and rear area security plans and orders. The support command normally does not furnish an element to the DTOC; however, a close relationship between the DTOC and support command must exist. Of necessity, due to the similarity of interests, the division G4-support command commander relationship must be extremely close. Each must keep the other informed of his requirements and capabilities.

a. Care must be exercised by the division staff to recognize the command responsibilities of the support command commander as a logistic support operator and not to burden the support command with division level planning, development of division level policies, and determination of priorities (except as an adviser), or to interfere in the internal operations of the support command. Except for the administration company, the division staff officers do not exercise operational control over units under the command of the support command commander.

b. The support command commander must allow his staff sufficient freedom of action so that good staff relationships exist with the division staff. He may do this by allowing the conduct of routine actions with their staff counterpart at division. He should, however, clearly define the bounds within which these officers will operate and the areas within which he reserves authority for approval prior to action.

CHAPTER 5

EMPLOYMENT OF DIVISION SUPPORT COMMAND

Section I. FIELD INSTALLATIONS

55. Division Support Area

The division support area is that portion of the division area in which the support command command post and the majority of the assigned or attached units of the support command are located. It also may contain army or independent corps logistic support or combat support units operating in support of the division.

a. Functions and General Operating Procedures. The logistic support units in the support area provide backup support to the support command units supporting the brigades and direct logistic support to units operating in the division support area.

b. Location and Displacement. The division support area is normally located in the division rear area adjacent to air-landing facilities and the main supply route. The precise location is contingent on tactical plans, location of army logistic installations and main supply routes, terrain in the area of operations, and security considerations.

- (1) Elements in the support area are moved as frequently as necessary consistent with maintaining continuous logistic support to all division units and considering the requirement for movement as a passive defensive measure. The new locations and the order for movement of his elements in the support area are determined by the support command commander in coordination with the division G3 and G4.
- (2) In airborne operations the support command units that operate in the division support area, except the air equipment support company, enter the airhead under support command control at an appropriate time following the initial air assault. The support command commander and a small staff may enter with the assault elements. A type deployment is shown in figure 12.

c. Security. Local security is provided by the individual units located in the division support area. Coordination of local security is accomplished by the support command commander through his command post. Because air defense units are not organic to the support command, requests and recommendations for priorities for air defense support must be submitted to the division commander.

56. Support Command Command Post

The following officers and staff elements normally operate in the support command command post: the commander and the executive officer; the S1, S2, S3, and S4 staff sections of the support command headquarters; transportation section; and communications center. The command post has advice available from the specialists in units subordinate to the support command to assist in the technical planning, operations, and training. The division ammunition section is located where it is the most convenient for the units that need ammunition.

a. Functions and General Operating Method. The support command command post is the control center for command and administration of the command and all of its attached units. Most of the logistic support operations are SOP-type operations and are carried out without reference to the support command command post; however, the command post coordinates logistic support operations of the support command that require its special attention.

b. Location and Displacement.

- (1) The support command command post is located within the division support area. The particular site selected should meet the following requirements:
 - (a) Facilitate the command of subordinate units of the support command.
 - (b) Provide sufficient area to accommodate all elements of the command post.
 - (c) Provide adequate signal communications.

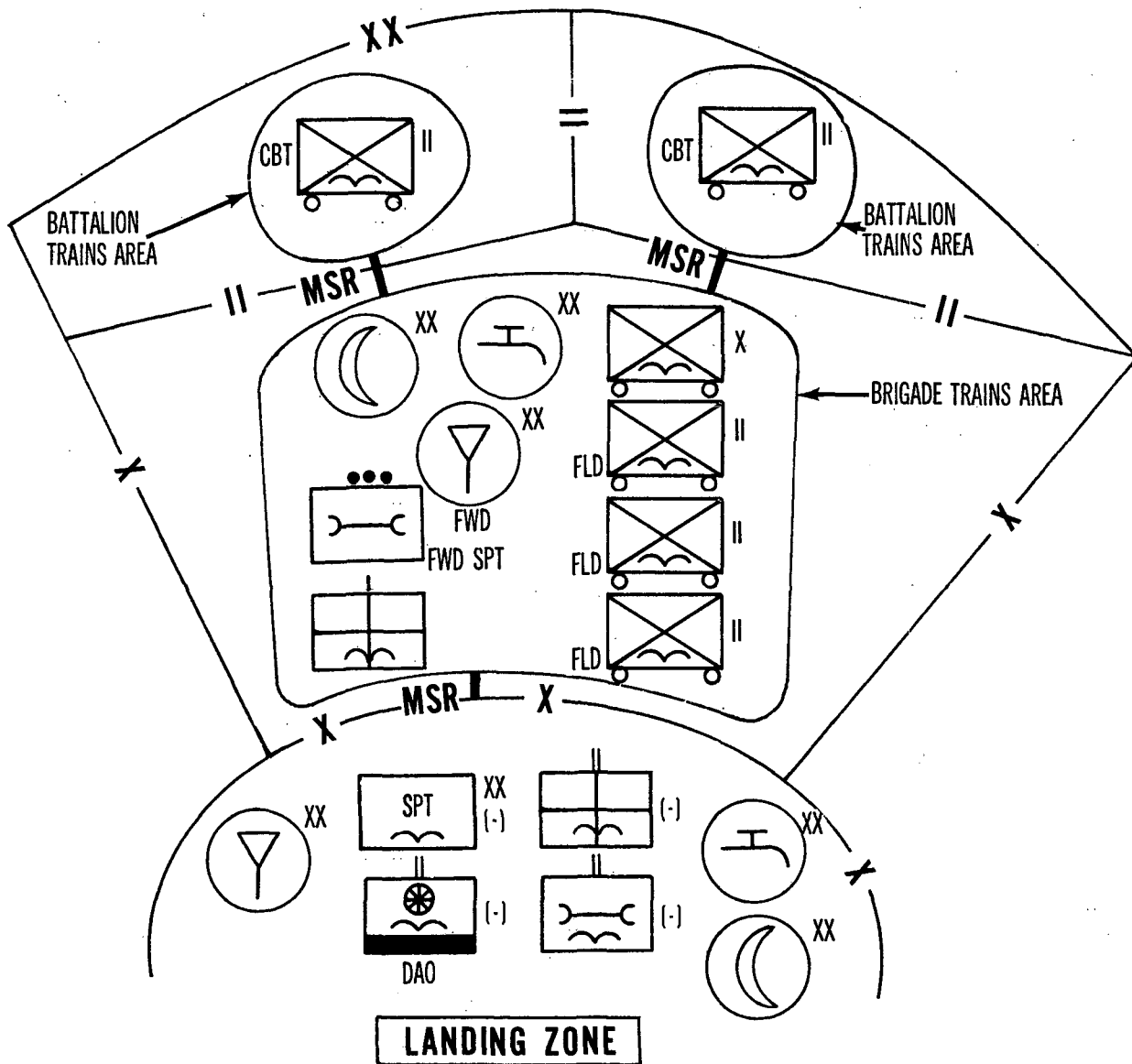


Figure 12. Type deployment, division logistic support units within an airhead.

- (d) Provide adequate cover, concealment, and dispersion.
 - (e) Reduce probability of damage and facilitate defense by locating the command post away from probable enemy targets and other likely areas of enemy attack.
 - (f) Provide sufficient drainage and hard-stand.
 - (g) Require a minimum of air-landing area and road construction and maintenance.
- (2) A standard interior arrangement of the command post is desirable. This helps

visitors to locate the staff sections and makes displacement and reestablishment of the command post simpler. An orderly arrangement requires consideration of the following:

- (a) Grouping those agencies which frequently work together, such as S2 and S3.
- (b) Locating near entrances those agencies which have considerable traffic, such as the S4.
- (c) Locating centrally those agencies that require additional security precautions.

- (d) Locating centrally such common user agencies as the communications center.
 - (e) Locating a directory service at the command post main entrance to direct personnel to the proper agency within the command post or to the location of the desired subordinate logistic support unit. This promotes efficiency of operations and reduces congestion within the command post.
- (3) The arrangement selected must provide for prompt displacement of the command post on short notice. Displacement is accomplished either by use of the off-duty shift at the new location or by moving in increments. The support command command post usually displaces concurrently with the displacement of the majority of its units occupying the division support area.

c. Security. Local security of the command post is provided by the support command headquarters company and the band.

57. Division Support Command Units in the Brigade Areas

The strength and composition of the support command units operating forward of the brigade rear boundary are changed as necessary to meet varying needs of the brigades or the area they support. The support command commander may find it desirable to designate one or more members of his staff to coordinate and control the activities of the support command elements in the brigade area.

a. Composition. Typically the following support command elements are found in the brigade trains.

- (1) A forward support company of the maintenance battalion.
- (2) Division forward distribution points for classes I and III supplies. Fast moving classes II and IV supplies are normally distributed through the class I supply distribution points. The airborne division may establish a class V supply forward distribution point.
- (3) A medical company.
- (4) A graves registration collection point when properly augmented.
- (5) Bath facilities when properly augmented.
- (6) A forward maintenance and salvage collection point.
- (7) A rotary wing section of the transportation aircraft maintenance company.

b. Function and General Operating Method. Units or elements of the division support command are normally employed in support of the brigades including the reserve brigade, as part of the brigade trains. Other divisional units normally receive division level logistic support from the division support area. The division support command forward units can provide logistic support on an area basis, a task basis, or a unit support basis. Normally, a support command unit operating with a brigade provides logistic support on a unit basis to the brigade headquarters and its attached units. In addition, a division support command unit supporting a brigade normally provides logistic support on an area basis to units operating in the vicinity of the brigade.

- (1) A forward support company of the maintenance battalion provides to its supported units one-stop direct support maintenance, repair parts, and mobile maintenance teams for the maintenance of all equipment except medical, chemical, cryptographic, and airdrop equipment. In the brigade trains area, the forward distribution points from the supply and transport battalion provide supply point distribution for classes I and III and previously requested classes II and IV supplies. Each medical company can provide a clearing station (two for a short time) to provide medical services and limited medical classes II and IV supply to its supported brigade and other units, normally on an area basis.
- (2) Support command units in the brigade areas operate under the control of their parent unit but they may be attached to the brigades or combat battalions for independent or semi-independent brigade or battalion operations.
- (3) During airborne operations, a medical company, a forward support maintenance detachment, and elements of the supply and transport battalion are normally attached to each brigade. These elements enter the airhead within the brigade airflow at the discretion of the brigade commander. Such elements subsequently revert to the control of the support command after the arrival of support command control elements.

c. Security. Each support command unit operating within a brigade area of responsibility provides

its own local security. The overall security of the brigade trains area is controlled by the brigade.

58. Division Rear Echelon

The division rear echelon consists of the administration company, including those division staff agencies whose function is to provide personnel and administrative services and whose continuous presence is not required in a forward portion of the division area. During airborne operations, the administration company and the air equipment supply company normally do not enter the airhead, but certain elements of these units may enter as required depending on such factors as the duration of the operation and planned future operations.

a. Unless designated otherwise by the division

commander, the division adjutant general is normally the officer in charge of the rear echelon. That officer is responsible to the support command commander for the tactical control, security, and movement of the division rear echelon.

b. The support command commander includes the division rear echelon in the area damage control plan and the rear area security plan when the division rear echelon is located in the divisions support area. He is responsible for the tactical training and the logistic support of the division rear echelon, including the provision of transportation when necessary to displace the division rear echelon. See FM 12-11.

c. For additional information on composition, location, and displacement of the division rear echelon see FM 61-100.

Section II. ORGANIZATION OF THE DIVISION SUPPORT COMMAND FOR COMBAT

59. Offense

The movement and deployment of the support command are based on the tactical plan and grouping of the combat units of the division. The plan of attack must be capable of being supported. If a projected operation cannot be supported with resources available to the division, the support command commander advises the division commander and staff of this fact and assistance is requested from higher headquarters or a plan that can be supported logistically is adopted.

a. If the attack originates from an assembly area, the support command is located centrally within the division area with all its elements under unit control. In this central location, supply and maintenance operations in preparation for the attack are performed. In the assembly areas, the units which will provide logistic support for the brigades are designated by the support command commander and are provided the necessary personnel and equipment to support the tactical operation logistically. Provisions are made to refuel the vehicles of division units, to replenish supplies and maintain equipment, and to provide essential medical and other services.

b. Support command units which will support a deployed brigade in an attack should be organized and provided the necessary logistic support means prior to the attack. Prior to and during the attack, the support command forward units perform supply, maintenance, and ground vehicle, aircraft, and medical evacuation tasks.

c. In the exploitation, frequent displacement of the support command units that operate in the

division support area is usually required. When displaced during an attack, division logistic support units in the division support area are normally relocated to favor the main effort of the division. The distance the division support area units remain behind division tactical units depends on such considerations as the requirements of the combat units, the planned establishment of army supply points and other facilities, and the availability of suitable locations for displacement forward.

60. Defense

In defensive operations the location of the division support area is influenced by requirements for security.

a. The division support area is normally located well to the rear to minimize concentration of forces in the defensive area. Support command elements in support of designated brigades operate in the brigade areas. In an all-round defensive perimeter, as in an airborne operation, adequate space is provided for the division support area within the defended area.

b. Defensive operations normally require large tonnages of class IV barrier materials and such class V supplies as mines and demolitions. Traffic control procedures and the location of forward support elements of the support command must be carefully coordinated. The support command elements are sited to support counterattack plans. Provisions are made to provide resupply by air and aeromedical evacuation in the event enemy action interferes with established procedures.

61. Retrograde

In retrograde operations the rearward movement of the support command is coordinated with the tactical movement. The division support area is positioned well to the rear so as not to interfere with the withdrawal of combat elements. Skeletonized support command elements will provide minimum essential supply, maintenance, and medical support

to the brigades in contact. The support command and army supply points may leave small stockpiles of critical classes III, IV, and V supplies along the axis of withdrawal for issue by the support command units in immediate support of the brigades in contact. The division ammunition officer retains responsibility for control of the class V supplies until they are issued to tactical units.

Section III. REAR AREA SECURITY

62. Responsibility

The division support command commander is responsible for the security of the division support area. This includes the security of higher echelon logistic support units that operate in the division support area. The division G3 has primary general staff responsibility for rear area security and, in conjunction with the division G2 and G4, plans and assigns responsibilities for rear area security. The division support command security plans are based on the division operation plan.

63. Forces

Each logistic support unit located in the division support area provides its own local security and assists in rear area security. When required, the support command commander may be provided a combat force to secure critical areas or to counter hostile threats that threaten the accomplishment of the support mission.

64. Scope

Operations against small-scale enemy attacks threatening the security of logistic support activities and the defense of logistic support activities against guerrilla and infiltration action are included in the rear area security responsibility of the division support command commander. Surveillance and security of portions of the division rear area not essential to the accomplishment of the mission of the support command and other combat service support activities are a division responsibility. Enemy action in the division rear area of a magnitude beyond control of the local security elements is considered part of the main battle. Necessary combat forces under the supervision and control of division are employed to reduce such threats.

65. Measures

The division logistic support units train their own personnel for local security and passive air defense

measures under the supervision of the support command commander.

a. Communications and warning systems are established and standing operating procedures are developed and practical. Protection is provided personnel, key activities, and essential lines of communications. Operations are dispersed and defensive positions prepared consistent with the effective execution of the support command mission. If security requirements are beyond the capability of the logistic support units in the division support area, essential combat or combat support units are provided the support commander to conduct reconnaissance over critical areas, to patrol routes, and to escort convoys.

b. Measures employed by the support command to accomplish its rear area security mission include—

- (1) Deploying logistic support units and facilities with due regard to their defensibility and mutual support.
- (2) Coordinating local security plans of adjacent units.
- (3) Coordination with reserve elements located in rear areas.
- (4) Employing an alert system for rapid communication concerning hostile threats.
- (5) Using armed convoys.
- (6) Posting security detachments from the headquarters company and band or from attached security forces at critical locations in the road nets.
- (7) Employing route reconnaissance and patrols.
- (8) Enforcing camouflage and light discipline.
- (9) Employing obstacles.
- (10) Executing CBR monitoring and survey when required.
- (11) Coordination with allied local civilian and paramilitary authorities and forces.

Section IV. AREA DAMAGE CONTROL

66. General

The division G4 has primary general staff responsibility for area damage control. The division support command commander is responsible for the plans and activities necessary to minimize the effects of enemy attack or natural disasters on logistic support within the division support area. The support command commander, in planning and supervising area damage control, places priority on actions that preclude or reduce the interruption of division operations. The effect of diverting logistic support elements to area damage control tasks is carefully weighed.

67. Means

The principal means available to the division support command commander for area damage control are the personnel and equipment of logistic support units operating in the division rear area. The support command commander coordinates with the division staff for engineer and signal support for area damage control. Locally procured resources and assistance from nondivisional units may be available in some situations.

68. Measures

Area damage control measures include—

a. Providing standing operating procedures and implementing instructions for self help within each logistic support unit.

b. Designating, training, and employing required firefighting, damage clearance, decontamination, rescue, food service, medical, chaplain and repair teams in the various logistic support units. Each unit is directed to prepare teams appropriate to its skills and equipment.

c. Assessing the extent and significance of damage and instituting area damage control measures to minimize losses in personnel, materiel, and facilities. Control and assessment teams (CAT) are formed in the division support command headquarters and in other designated support command units for use in the division support area.

d. Rerouting traffic, as required, to provide continuous support to tactical elements and to facilitate the reduction of damage and contamination.

e. Dispersing facilities to avoid or minimize damage and contamination.

f. Establishing and implementing warning procedures to insure prompt dissemination of information on known or suspected attacks and conditions that may lead to disasters so that preparations may

be undertaken to reduce susceptibility, e.g., use of the division radio warning net.

g. Coordinating with local civil defense plan through the division general staff to insure mutual support.

69. Decontamination of Personnel, Equipment, and Areas

When personnel, equipment, and areas within the division support area have been exposed to chemical, biological, or radiological contamination, the support command commander will initiate necessary decontamination operations, with the assistance of the division surgeon and the division engineer battalion, as appropriate. The division engineer battalion decontaminates essential areas or clears exit routes required for evacuation to safe areas.

a. *Chemical Decontamination.* Decontamination of persons contaminated by chemical agents must be initiated immediately. Emphasis is placed on training the individual in personal decontamination and first/self aid. Large scale decontamination is limited to vital installations, equipment, and materiel. As permitted or dictated by the tactical situation, such passive measures as avoiding contamination and waiting for weathering and decay to reduce or eliminate the hazard may be appropriate.

(1) *Personnel.* Effective use of protective equipment is the first line of defense against injury by chemical agents. Therefore, it is essential that all personnel be trained in the use of protective equipment and in the first aid measures required to minimize injuries from chemical agents. The effectiveness of first aid measures is dependent on the ability of the individual to recognize the presence of a chemical hazard, on proper use of available protective equipment, and on speed of action. Prompt decontamination or removal of chemical agents in contact with the eyes and skin is necessary to prevent injuries. For details of chemical decontamination, see TM 3-220. Personnel engaged in chemical decontamination should use the protective mask and protective clothing, including impermeable gloves. Following decontamination, items or equipment must be tested for adequacy of decontamination.

(2) *Clothing and equipment.* Ordinary clothing that has been exposed to vapors of toxic

chemical agents may be decontaminated under temperate conditions by aeration in sunlight for 4 to 8 hours or overnight. However, clothing and equipment exposed to liquid agent will require decontamination as outlined in TM 3-220.

- (3) *Water.* Purification of water contaminated with chemical agents is an engineer responsibility and should be undertaken by trained personnel only. Detailed procedures are given in TM 5-700 and TM 8-285. Special methods of analysis are required to determine chemical contamination of water, and purification should be attempted only as a last resort.
- (4) *Food.* Food suspected of being contaminated should not be prepared for consumption until proper inspection is made by authorized personnel. Large quantities of food should not be condemned until the possibility of decontamination is considered. Food supplies contaminated with chemical agents should be handled only by personnel trained in decontamination methods and equipped with proper protective clothing and equipment. Prompt segregation of the heavily contaminated portions may prevent contamination of the remaining portions. FM 10-60 and TM 3-220 contain detailed information pertaining to specific procedures for decontamination and reclamation of exposed items.
- (5) *Materials and procedures.* Decontaminating materials and procedures are prescribed in detail in TM 3-220 and FM 21-40. These include the use of bleaches, DANC, D82 Decontaminating Agent, washing soda, water or steam, caustic soda, fuels and solvents, protective ointment, and hot air. In addition, weathering in sun and air will decontaminate if sufficient time is allowed. A 4-inch cover of earth (if undisturbed) will adequately seal over an area contaminated by toxic chemical agents. It may be necessary to burn contaminated vegetation, supplies, equipment, buildings, and other items not worth salvaging. Caution must be exercised in burning to insure that toxic wind-carried vapors do not become a hazard to unprotected personnel downwind.

b. Biological Decontamination. Usually, enemy employment of biological agents will not be immediately apparent. However, samples should be taken from areas suspected of being contaminated with biological agents; necessary decontamination or removal should be accomplished. Materials and procedures are covered in FM 21-40 and TM 3-220. Any materials used in removal work should be similarly decontaminated or destroyed. Personnel decontamination is accomplished by showering thoroughly with soap and hot water; germicidal soaps should be used if available. Contaminated clothing should be washed in hot soapy water and boiled (cotton), if possible, if decontamination is not performed by laundry units.

- (1) *Personnel.* Personnel contaminated by biological agents will be casualties under medical care. Dependent upon the severity of the contaminant, such personnel may have to be evacuated.
- (2) *Equipment.* Equipment that has been contaminated by biological agents must be decontaminated before it is used. See TM 3-220 for procedures.
- (3) *Water.* Purification of water is the responsibility of the engineer battalion. In emergencies, small quantities of water may be decontaminated by boiling for at least 15 minutes. When boiling is impractical, the use of two iodine water purification tablets per canteen of water (as recommended for cold water by the instructions on the container) is effective against microorganisms except bacterial spores (TM 3-220).
- (4) *Food.* Ordinarily, thorough cooking will insure effective destruction of microorganisms. Packaged food or food that will be peeled or pared may be decontaminated by spraying it with or immersing it in a hypochlorite solution or by washing it thoroughly with soap and water. Foods in cans and bottles are reasonably safe from contamination by biological agents. However, the containers themselves must be decontaminated before they are opened. This may be accomplished by soaking bottles and cans in a solution of two-percent chlorine and one-half of one-percent anionic detergent for 30 minutes. Although food that is contaminated with biological agents is peeled or pared, it should be cooked thoroughly before eating. *In no case*

should open food be consumed until pronounced safe by a medical officer. Large quantities of food should not be condemned until an inspection is made by personnel of the Army Medical Service.

- (5) *Outdoor areas.* Decontamination of large areas is not feasible, but vital areas known to be or suspected of being contaminated should be decontaminated.
- (6) *Indoor areas.* The chemical officer will furnish information on decontamination of indoor areas. The medical battalion and engineer battalion will furnish the necessary advice and the support required for decontamination of interiors of buildings. TM 3-220 includes detailed decontamination information.

c. Radiological Decontamination. Following the use of a nuclear weapon, the presence and degree of radioactive contamination must be determined. Monitoring is the routine determination of the presence and degree of contamination made by a unit incident to its normal operations. Radiological survey is a specially organized operation to supply a commander with knowledge of the extent and degree of radioactive contamination. Fallout predictions are made to predict the probable danger sector of radioactive contamination prior to the actual arrival and detection of the fallout. Fallout information can be used in conjunction with the commanders' tactical plans and recommendations to higher headquarters. The subsequent efforts in decontamination of vehicles, arms, and ammunition can be reduced if, prior to arrival of fallout, they are covered with available material such as tarpaulins, shelter halves, or ponchos. Decontamination operations should be conducted at a location with good drainage. Waste water should flow into a sump, if possible. If waste water flows into a river or stream, units downstream must be so informed.

- (1) *Clothing for special operations.* Personnel whose duties as members of emergency and damage control teams, as decontamination crews, or as monitors require them to enter radiologically contaminated areas or to come in contact with contaminated objects should wear standard military clothing or combat fatigues tightly buttoned at the neck and tied at the wrists and ankles with string (trouser legs may be bloused into the top of combat boots instead of being tied);

any form of gloves available; and headgear, preferably tight. (A hood may be worn, if available.) For certain decontamination operations, such as hosing down of contaminated buildings, it may be advisable for personnel to wear impermeable protective clothing, if available, to keep the contaminant from coming in contact with the body.

- (2) *Radiological Survey.* Radiological survey is the use of area survey methods to determine the degree and extent of radiological contamination of an area. The radiological monitoring team of the Control and Assessment Team will perform a radiological survey and marking of the radiologically contaminated area. Procedures are described in FM 3-12 and FM 21-40. Surveys may be made by use of radiacmeters in aircraft. Survey information can also be secured by use of radiacmeters by personnel in wheeled or tracked vehicles. Foot surveys are conducted only under exceptional circumstances. Personnel will not enter an area determined to be contaminated by radioactive products until the area has been declared safe, or safe work times have been determined by the CAT.
- (3) *Personnel.* When operational areas are radiologically contaminated, personnel monitoring stations should be established as soon as practicable and all personnel leaving the contaminated areas should be monitored. Personnel who are contaminated will be required to decontaminate themselves, unless they are under medical care. Personnel with wounds should be monitored by or under the supervision of medical personnel.
 - (a) Thorough washing with hot soapy water will effectively remove radioactive contamination from personnel. Shaking or beating the clothing, where laundering facilities are not immediately available, will remove some radioactive dust. Personnel should bathe and change clothing as soon as the tactical situation permits.
 - (b) Recovery of human remains from an area of radioactive contamination should be accomplished as rapidly as possible, once the area has been declared safe

enough to enter. Procedures are described in FM 10-63.

- (4) *Food.* Except in rare cases of induced radiation, rations in cans or other sealed containers are not in danger of radiological contamination. Because the contamination will normally be limited to the outer surface of the sealed containers, decontamination is accomplished by washing and scrubbing the outer surface. Food not protected in sealed containers must be suspected of contamination until monitored. Some foods can be decontaminated by washing, scrubbing, peeling or scraping, and washing again. Procedures are described in FM 3-12 and FM 10-60. Some foods must be destroyed. Any food which has been exposed to radioactive contamination must be carefully monitored before and after decontamination. Foods in which radioactivity has been induced can be decontaminated only by aging. Careful monitoring will determine the progress of radioactive decay during aging. Food that has been contaminated may still be acceptable for consumption, especially under emergency conditions. This is because a large proportion of the ingested radioactive particles pass on out of the body, leaving only a fractional amount to act as an internal hazard. The decision to consume food exposed to radiation is a command decision (aided by the recommendation of the division surgeon).
- (5) *Water.* Radioactive contaminants in water are not affected by boiling or by other

water treatment methods designed for chemical or biological decontamination. Decontamination of water is a responsibility of the division engineer battalion. Approval of the potability of water is a responsibility of the division surgeon.

- (6) *Equipment.* Equipment that has been exposed to radiation or has been in a contaminated area must be monitored and, if needed, decontaminated. Equipment that is found to be contaminated should remain within a restricted area until the contamination is removed or has become militarily insignificant from aging. Equipment requiring prompt decontamination may be washed.
- (7) *Areas.* Area decontamination usually is not feasible without earth moving equipment. When areas must be decontaminated, earth moving equipment is used to remove contaminated vegetation and earth. Equipment available for this purpose within the division is very limited. When such equipment has been used to decontaminate an area, the equipment itself must then be decontaminated.

d. Marking Contaminated Areas. The support command commander is responsible for planning and maintaining the contamination marking signs within the division support area. A radiologically contaminated area need not be marked, however, when a military advantage would be obtained by not doing so. In such cases, positive steps will be taken to warn friendly forces of the existence of the contamination.

CHAPTER 6

SUPPORT COMMAND COMMUNICATIONS

70. Support Command Communications in Armored, Infantry, and Mechanized Divisions

In the armored, infantry, and mechanized divisions, the support command operations platoon, signal support operations company, division signal battalion, provides the internal communications for the support command headquarters, except voice radio. The platoon establishes and operates a signal center for elements of the support command and other units and installations within the division support area. Subordinate units of the support command that operate outside the division support area obtain signal support from the nearest division area signal center.

a. The support command operations platoon installs, maintains, and operates terminal communications facilities for the support command headquarters. These facilities include—

- (1) A message center that furnishes cryptographic and teletypewriter service.
- (2) Telephone switching facilities and a local battery switchboard that provides for local telephone service.
- (3) Radioteletypewriter stations in division nets Nr. 2 (administrative/logistics) and Nr. 3 (general purpose); the army logistics net; and additional stations for elements of the support command, as required, and one FM station in the support command command net for signal center coordination.
- (4) A radio-wire integration (RWI) station to connect mobile FM radio stations to the local telephone system.
- (5) Three radio terminal sets that terminate trunk circuits from division elements.

b. Combat battalions do not normally have direct radioteletypewriter contact with the support command. Information and requests may be transmitted over the battalion administrative/logistics FM net to battalion field trains and thence to the brigade trains communications facility by wire or

messenger or from battalion to brigade trains over the brigade command net. Examples of traffic to be handled are daily and more frequent supply and maintenance status including emergency requirements, evacuation and essential logistic information, and situation changes with respect to logistic support. Special requests for such items as mines, wire, ammunition (including nuclear and CB materiel), POL, replacement vehicles, and radios must be acted upon promptly and action known by the battalion more quickly than is possible through a courier system alone. The brigades have direct radioteletypewriter contact with the support command by means of the division administrative/logistics radioteletypewriter net Nr. 2.

71. Platoon Organization and Employment

The support command operations platoon headquarters provides command supervision over the activities of the platoon. The platoon leader acts as the support command signal officer. He supervises the installation, operation, and maintenance, of the communications facilities of the support command. A powerman is provided to perform organizational maintenance on power units organic to the platoon.

a. The radio terminal and carrier section provides the necessary personnel to install and operate three radio terminal sets (fig. 13) as follows:

- (1) One radio terminal set will terminate two twelve-channel radio relay systems; one from division main and one from division alternate, if the division alternate is added to the net.
- (2) One radio terminal set will terminate two twelve-channel radio relay systems, one from each of the two division forward area signal centers.
- (3) The third radio terminal set may be used to terminate a twelve-channel radio relay system from the third division forward area signal center and a twelve-channel carrier system from the army area signal center, or

it may be used as otherwise required. (The twelve-channel carrier system may be provided from other resources available in the support operations company.)

b. The communications center section has the necessary personnel to install and operate the truck-mounted teletypewriter central office and the associated electronic teletypewriter security equipment. A truck-mounted shelter is provided for message center operations. A receiver in the division warning net may also be installed in the shelter.

c. The installation section consists of two five-man, wire-installation teams with the necessary vehicles, field cable, and field wire to install the support command headquarters internal wire communications system.

d. The telephone section provides personnel to install, maintain, and operate the truck-mounted, shelter-installed, panel patching communications and

the one-position, truck-mounted, shelter-installed, manual telephone central office. The patch panel is used as a circuit control, circuit testing, and line termination facility. The required alternating current power must be obtained from an external source.

e. The radio section provides the necessary personnel to operate those radio sets marked by (S) in the nets shown in figure 14.

72. Connection to the Army Area Communication System

The combat area signal company of the combat area signal battalion (Army) operating nearest to the division will be responsible for establishing and operating both terminals of a multichannel radio-relay system. Normally, this system will terminate in the support command signal center. The field wire or field cable, needed to connect this multichannel

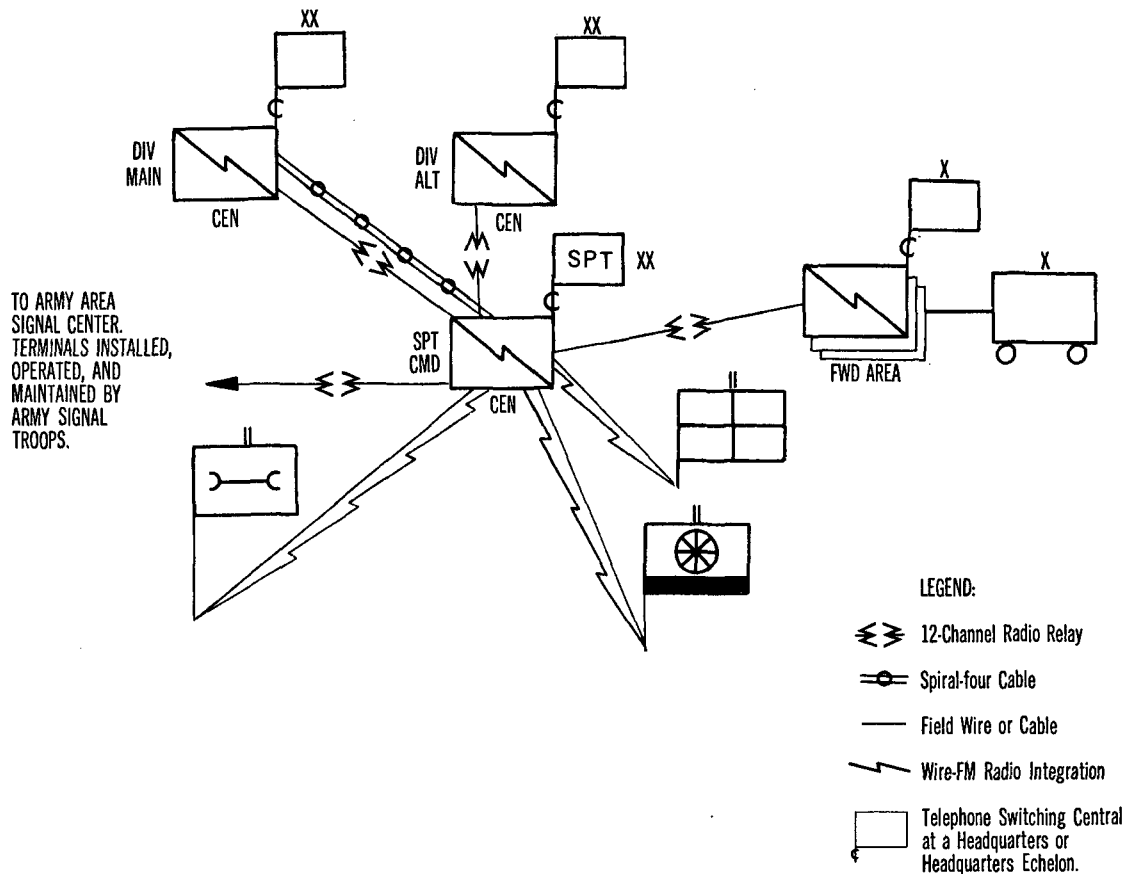


Figure 13. Type division support command communications network.

UNITS	Support Command FM/Voice	Division Command Net (FM Voice)	Division Warning Broadcast Net (AM Voice)	Division RATT Net #1 Operations Intelligence	Division RATT Net #2 Admin Logistics	Division RATT Net #3 General Purpose	Division Air Request Net AM (Voice-CW)	Air Force Spot Report Receiver System UHF Voice	Corps Command Operations Net (RATT)	Army Logistics Net (RATT)	Army Air Request Net (RATT)
Division Main		X NCS	X NCS (S)	X NCS (S)	X (S)	X NCS (S)			X (S)		
Division Alternate		X	X (S)	Xm (S)		X (S)			X (S)		
Division Rear			X (S)			X (S)					
Division TOC			X (S)				X NCS (S)	X (S)			X (S)
Division Artillery		X	X	X	X						
Brigades (3 each)		X	X	X			X	X			
Maneuver Battalions			X				X	X			
Cavalry Squadron		X	X	X	X		X	X			
Aviation Battalion		X	X			X					
Engineer Battalion		X	X			X					
Signal Battalion		X	X (S)								
Surv'l Plat Aviation Battalion						X					
Support Command	X NCS (S)	X	X		X NCS (S)	X (S)				X (S)	
Brigade Trains (3 each)					X						
Forward Area Signal Centers (3)			X (S)			X (S)					
Maintenance Battalion	X		X			X (D)					
Medical Battalion	X					X (D)					
Supply & Transport Battalion	X		X			X (D)					
Div Supply O	X										
DAO	X										
Div Trans O	X										
Div Eng Sup O	X										
Div Ord Supply O	X										
Div QM Supply O	X										
Div Sig Supply O	X										

LEGEND

NCS—Net Control Station

(S)—Radio set provided by Signal Battalion

(D)—Radio set provided by Support Operations Company, Division Signal Battalion when elements of support command operate separately from support command headquarters.

Figure 14. Type division support command radio nets.

terminal equipment with the patch panel located in the support command signal center, will be installed by field army signal troops.

73. Support Command Communications, Airborne Division

The support command operations platoon, forward communications company, division signal battalion, airborne division, provides the internal communications for the airborne division support command headquarters and from that headquarters to subordinate units operating in the vicinity. Support units operating in the vicinity of a division area signal center will obtain support from that center. Personnel of the operations platoon install, maintain, and operate terminal communications facilities for the support command headquarters. These facilities include—

a. A message center that provides cryptographic and teletypewriter service.

b. A manual telephone switchboard that provides for local telephone service.

c. Two radioteletypewriter stations, a radio receiving station in the division warning net, and an FM radio-wire integration (RWI) station.

d. Radio relay and carrier equipment to terminate multichannel links from division main and division alternate.

74. Platoon Organization and Employment

The support command operations platoon leader provides command supervision over the activities of the platoon. The platoon leader also functions as the support command signal officer. He supervises the installation and operation of the communication facilities of the support command.

a. The radio terminal and carrier section provides the necessary personnel to install and operate two radio terminal sets. One radio terminal set—

- (1) Will terminate two four-channel radio relay links one from division main and one from division alternate.
- (2) May be used for displacement purposes, to terminate a radio relay link from one or more area signal centers (in which event the displacement capability may be lost), or as the division signal officer may otherwise prescribe.

b. The message center section provides the necessary personnel to operate a manual teletypewriter, a semi-automatic teletypewriter set, and the associated electronic teletypewriter security and cryptographic devices. Additional equipment is available to provide a displacement capability. A radio receiver is also provided for use in the division warning net.

c. The telephone section provides personnel to install, operate, and maintain a small switchboard and the telephones, field wire, and cable required by the headquarters. A small twelve-line switchboard is available for auxiliary use, to provide a displacement capability, or to be used in conjunction with the radio-wire integration (RWI) station.

d. The radio section contains personnel and equipment to operate two radioteletypewriter sets and an RWI station (fig. 15) as follows:

- (1) One radioteletypewriter set will operate in the division general purpose net.
- (2) One radioteletypewriter set will operate in the division administrative/logistics net.
- (3) An FM radio set is provided to function as a RWI station for the support command headquarters. The station links mobile FM radio stations with the switchboard located at the support command headquarters.

Hq or Unit Net	Div Main	Div Alt	Div Rear	Spt Comd	Bde Trains (3)	Cav Sqdn	Div Arty	Fwd Area Sig Centers (3)	Sup & Trans Bn	Maint Bn	Avn Bn	Surv Plat Avn Bn	Eng Bn	Med Bn
Div Adm/ Log Net, RATT Net Nr. 2	X (S) (1)			X (NCS) (S)	X	X	X		X	X				X
Div Gen Purpose Net, RATT Net Nr. 3	X (NCS) (S)	X (S) (1)	X (S) (1)	X (S)				X			X	X	X	

LEGEND:

- (S) — Personnel and equipment furnished by the airborne division signal battalion.
- (1) — Station normally only monitors the net.
- (NCS) — Net control station.

Figure 15. Type airborne division support command radioteletypewriter nets.

CHAPTER 7

DIVISION SUPPLY AND TRANSPORT PROCEDURES

Section I. SUPPLY

75. General

The preferred method of distributing supplies to users is unit distribution. Because this method is beyond the capability of the support command, the division normally uses a combination of supply point and unit distribution. Supplies delivered to the division by supporting units are delivered direct to using units whenever possible. In airborne operations, the same principle is applied to supply by airdrop; where possible, delivery is to the using unit.

a. In mobile situations, the division carries with it only those supplies needed to sustain operations until additional supplies can be delivered. These supplies may include small reserves as insurance against interruptions in supply delivery. In static situations, sufficient supplies for several days' consumption may be stocked in the division area in order to free transportation for other purposes.

b. The levels of supply carried by the division are prescribed by the field army commander.

76. Division Supply Office

The division supply office is headed by the supply and transport battalion commander. He normally delegates direct control over activities of this office to the assistant division supply officer. Although the division supply office is a functional element of the supply and transport battalion, the support command commander may require that the office be located in the division support area in or near the support command CP or other appropriate location.

a. Composition. In the armored, infantry, and mechanized divisions the division supply office consists of technical service oriented sections (i.e., engineer, ordnance, quartermaster, signal, transportation, and chemical). In the airborne division, the office is organized by commodities (i.e., class I and III, class II and IV, class V, and motor transportation). In either case, the division supply

office constitutes the technical operations center for supply and service support (less medical and maintenance) in the division.

b. Operations. The division supply office provides the division support command commander and staff with advice on supply and service matters. In addition, it determines requirements for, procures, maintains records on, and directs the receipt, temporary storage, issue, and distribution of supplies and equipment. It also provides truck transportation as directed by the support command commander, to supplement the means available to other elements of the division. It likewise plans, coordinates, and supervises such service functions as graves registration service, operation of unit exchanges, purchasing and contracting, food service, salvage service, and bath, laundry, and clothing exchange service.

(1) *Supply procedures.* The division supply office, as the control element, receives and logs all incoming requests for supplies and equipment. Requests that require action by only one section are passed directly to the applicable section. Those requests requiring action by more than one section are processed through the appropriate sections. When requested items are available, the supply and service company will be directed to effect issue and supply records will be adjusted accordingly. Replacement supplies are requisitioned as prescribed by AR 725-50 and other applicable regulations through the general support group in support of the division. As directed by the division supply office, the supply and service company will submit status reports indicating items received, issued, and on hand to provide the basis for operational records and reports and to verify the accuracy of records and reports prepared or

maintained by the division supply office. The division supply office performs normal field stock control activities prescribed by AR 711-16 and, in addition, performs technical liaison and advisory functions for supplies and equipment provided.

- (2) *Transportation procedures.* The motor transport plans officer advises the division supply officer on employment of transportation resources of the supply and transport battalion. In coordination with division supply personnel, he plans and coordinates the provision of transportation required for the pickup and unit distribution of supplies and equipment to supported units. He also coordinates with division supply personnel when it becomes necessary to make supplemental truck transportation available to other divisional units, as required and directed by the support command commander.
- (3) *Service procedures.* The division supply office exercises supervision over services such as unit exchanges, graves registration, purchasing and contracting, food service, salvage, and bath, laundry, and clothing exchange.
 - (a) *Unit exchanges.* The division exchange officer, assisted by an accounting specialist, exercises supervision over unit exchanges established and operated by division units; coordinates exchange activities with supporting quartermaster sales and Army and Air Force Exchange Service agencies; and advises the division supply officer and other commanders and staff officers on exchange items, services, and facilities. He also performs additional duties as division graves registration officer and as purchasing and contracting officer.
 - (b) *Graves registration.* As division graves registration officer, he exercises supervision over graves registration activities performed by the graves registration platoon (when added as augmentation) of the battalion supply and service company, and other units of the division. When the division is not authorized the graves registration platoon as augmentation, the graves registration officer coordinates division graves registration support requirements and activities with

the supporting general support group of the field army.

- (c) *Purchasing and contracting.* As purchasing and contracting officer (in the absence of an area purchasing officer, central purchasing authority, or general procurement board), he purchases supplies and equipment not available through normal supply channels and contracts for local services as required and authorized.
- (d) *Food service.* The food adviser, assisted by enlisted food service supervisors and clerical personnel, coordinates, assists, and advises on all phases of food management and directs the division food service program.
- (e) *Salvage.* As necessary, forward and main salvage collection points are established by the supply and service company for abandoned supplies and equipment. The operation of these points is directed by the division supply office.
- (f) *Bath, laundry, and clothing exchange.* When bath and laundry elements are available to the division, the division supply office will schedule and direct the operations of one or more bath and clothing exchange points using the laundry elements to launder soiled clothing. Backup support is provided by the supporting FASCOM general support group.

77. Class I Supplies

Class I supplies are furnished to division units by the supply and transport battalion. The division supply and transport battalion operate class I distribution points in the division support area and in each brigade area. The distribution points are located on well defined routes near the center of mass of the supported units. The flow of class I supplies is shown in figure 16.

a. Requisitioning. The division adjutant general provides the division supply and transport battalion with the estimated strength figures for the division. Using these figures as a basis, the supply and transport battalion prepares the division daily ration request and dispatches it to the field army class I supply facility supporting the division 72 hours prior to the time rations are to be delivered. Units of the division may submit daily ration requests to the supply and transport battalion. The daily ration

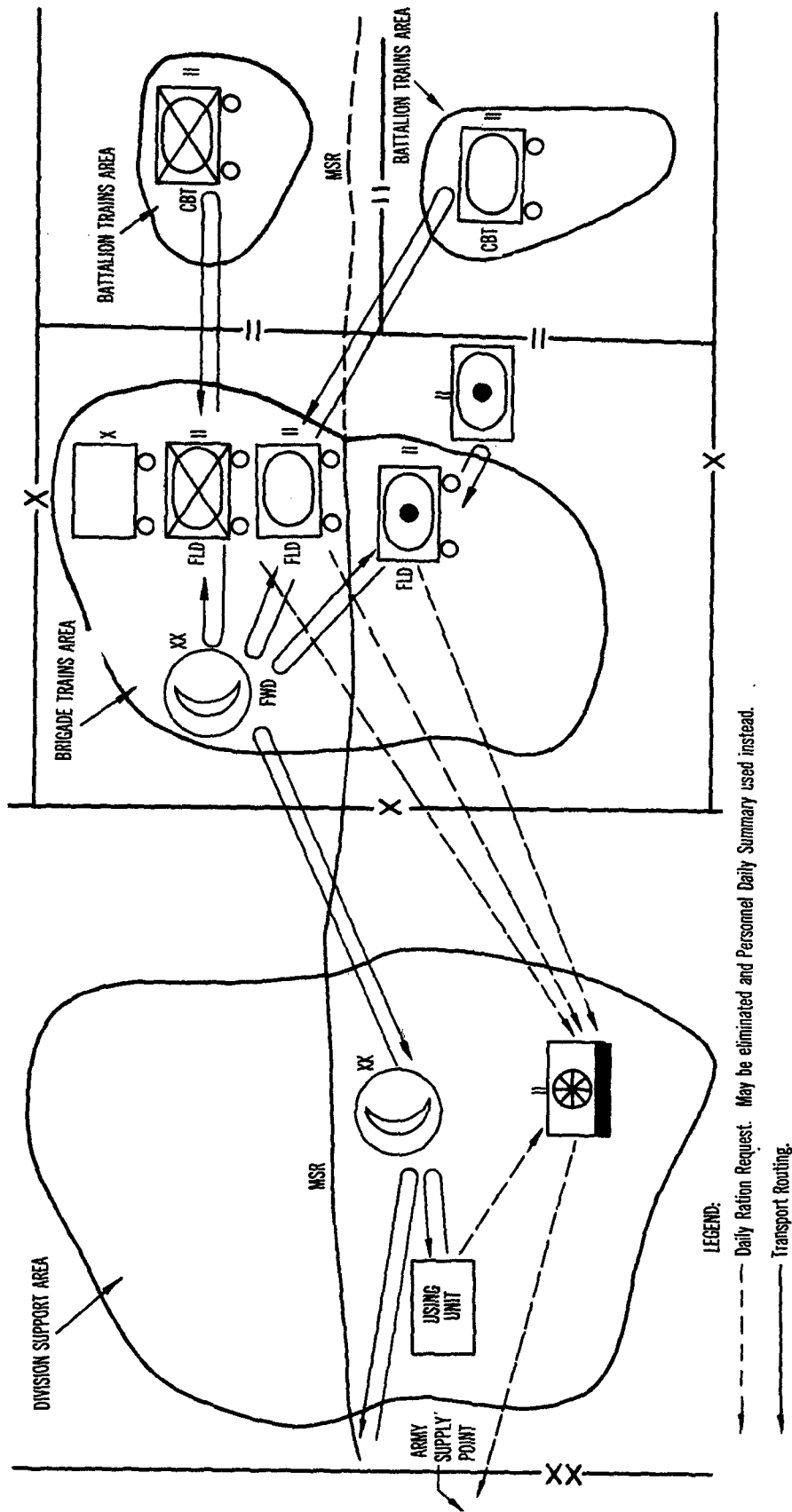


Figure 16. Flow diagram for class I supplies.

request may be eliminated when it serves no useful purpose. The personnel daily summary may be used instead. When a unit desires a specific type ration, it notifies the supply and transport battalion. Distribution of rations is based on the unit request or on strength figures.

b. Distribution. The field army supply installation supporting the division delivers class I supplies to the division distribution point located in the division support area or to the division forward distribution points located in the brigade trains area. Rations are broken down into unit (battalion) lots and picked up by the requesting units with organic transportation at their prescribed class I forward distribution point. When the location of units and the tactical situation permit, rations may be delivered direct to the using units in division, corps, or army transportation.

c. Reserves. Units of the infantry and airborne divisions normally carry two rations: one for consumption the other for reserve. The division supply and transport battalion can carry one additional reserve ration on organic transportation. Armored and mechanized divisions can carry three rations on each vehicle for the crew and other personnel assigned to the vehicle.

78. Class II Supplies

Class II supplies, with the exception of repair parts and medical, cryptographic, and electrical accounting supplies, are provided by the supply and transport battalion. Medical supplies are provided by the medical battalion, cryptographic supplies by the signal battalion, and repair parts by the maintenance battalion. Electrical accounting machine repair parts and supplies are provided by the division administration company. Facilities for the supply of class II items consist of small holding areas operated by the supply and transport battalion and the medical battalion in the division support area.

a. Requisitioning. Units of the division submit their requirements except medical, to the supply and transport battalion which forwards the total division requirement to the appropriate field army supply unit or facility supporting the division. See figures 17 and 18. Units requisition medical supplies from their battalion aid stations. The battalion aid stations replenish their supplies by informal requests sent to the clearing station via ambulances evacuating patients. The clearing station, in turn, forwards unfilled requests and any requests for replenishment of its own supplies to

the division medical supply point. The clearing station does not consolidate supply requests. See figure 19.

b. Distribution. Fast moving class II supplies are forwarded directly by the supporting field army supply unit or facility to the division class II distribution point in the division support area or, where appropriate, directly to the requesting unit. An informal system of stock control is used.

(1) The field army supply point may make distribution direct to the requesting unit when most of the transportation carrier capacity is for a specific unit. Large end items are delivered to specific destinations within the division as requested by the support command. Within the division, unit distribution of fast moving class II items is normally made directly to the requesting units or to the class I forward distribution points of the supply and transport battalion operating in the brigade trains areas where the items are then issued to the requesting units.

(2) The method of distributing medical supplies in combat is informal. The division medical supply point is normally established by the medical battalion at a convenient site that is accessible to ambulances providing support to the majority of forward medical facilities. Requests are sent to the rear by vehicles, e.g., trucks, ambulances, and aircraft, or by radio or telephone. Supplies are dispatched forward via trucks, ambulances, or aircraft.

c. Reserves. The division does not ordinarily carry a large reserve of class II supplies. It does, however, carry a small stock of fast moving class II supplies of all services in the division support area.

79. Classes III and IIIA Supplies

Classes III and IIIA supplies are also provided by the supply and transport battalion. The battalion normally operates class III distribution points in the division support area and in the brigade trains areas.

a. Requisitioning. Each supported unit of the division submits a periodic forecast for bulk fuel and packaged (grease, oil, and lubricants) products to the division supply and transport battalion, indicating any change to the previously experienced supply rates. The supply and transport battalion forwards a consolidated report to the field army supply facility supporting the division. Figure 20 illustrates the flow

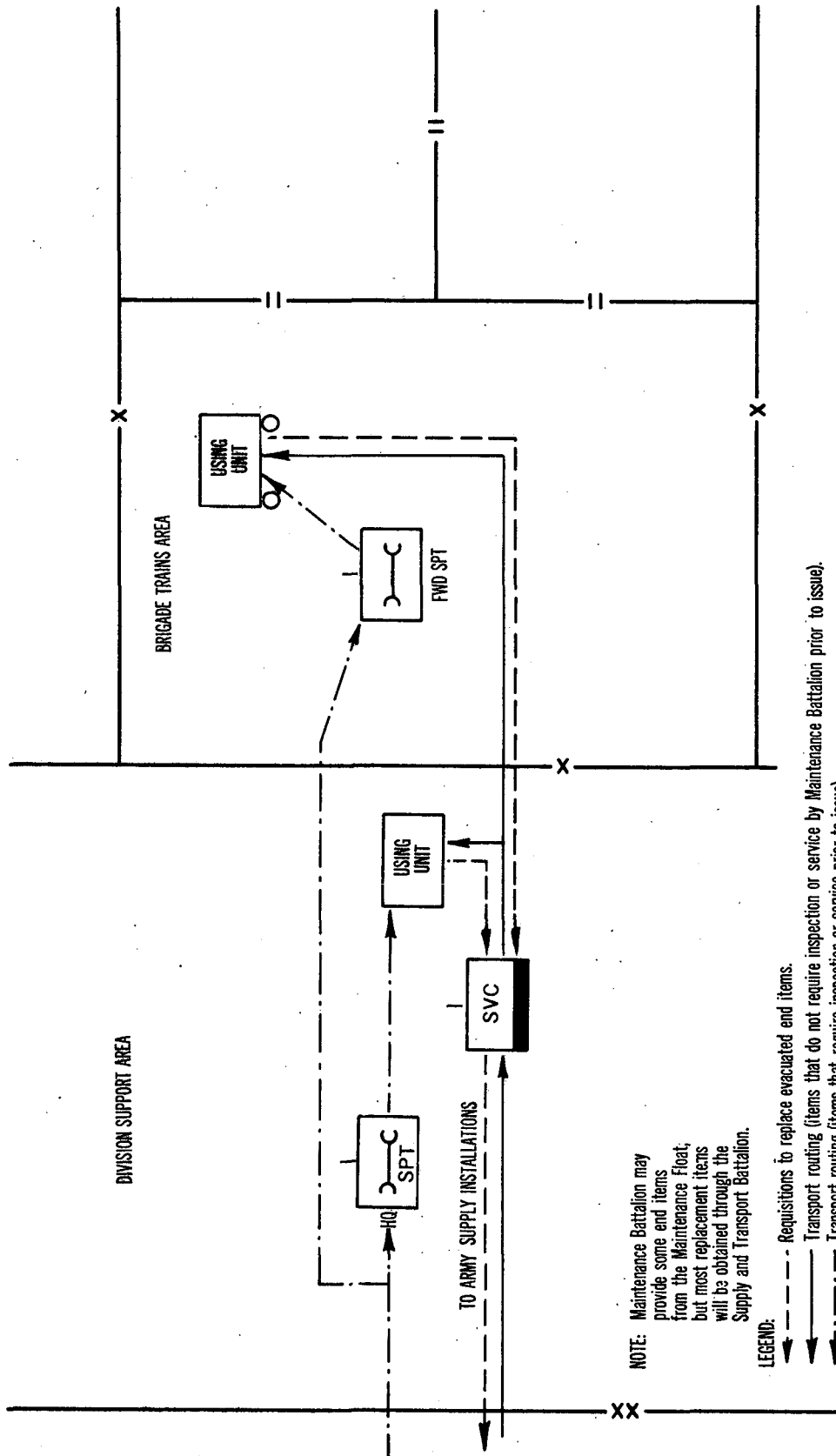


Figure 17. Replacement of evacuated end items.

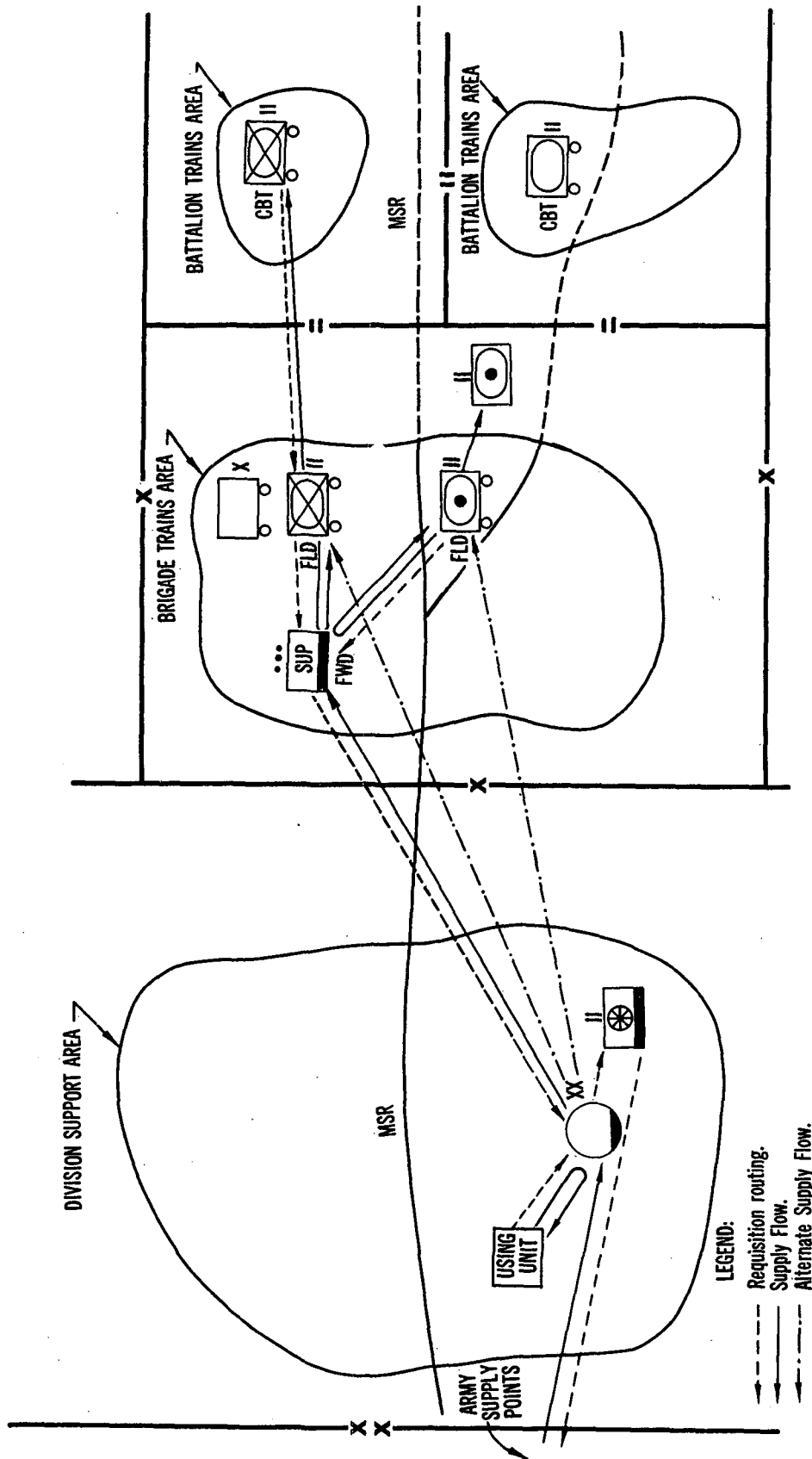


Figure 18. Flow diagram for classes II and IV supplies (less medical supplies, repair parts, and evacuated end items).

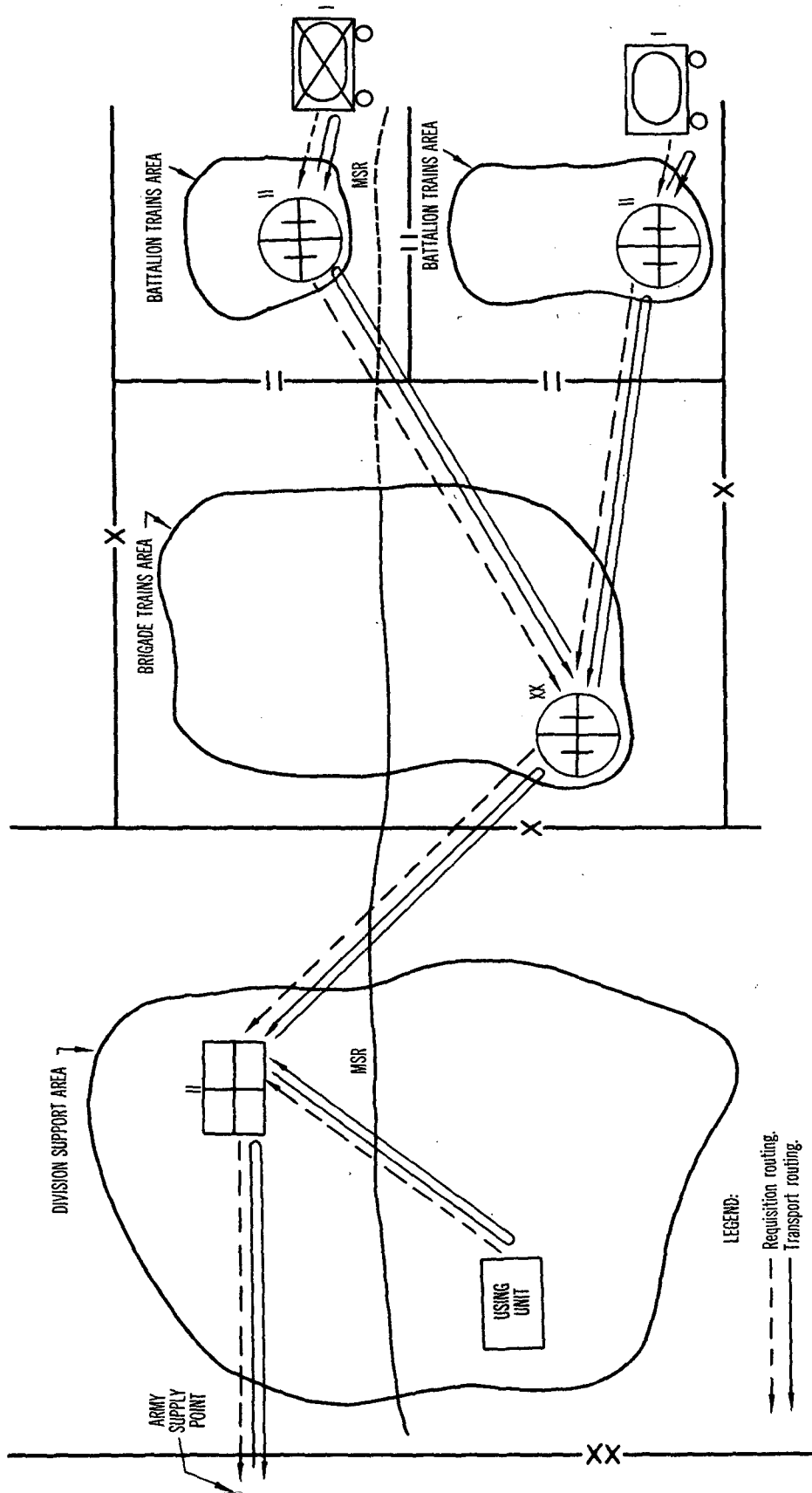


Figure 19. Flow diagram for medical classes II and IV supplies.

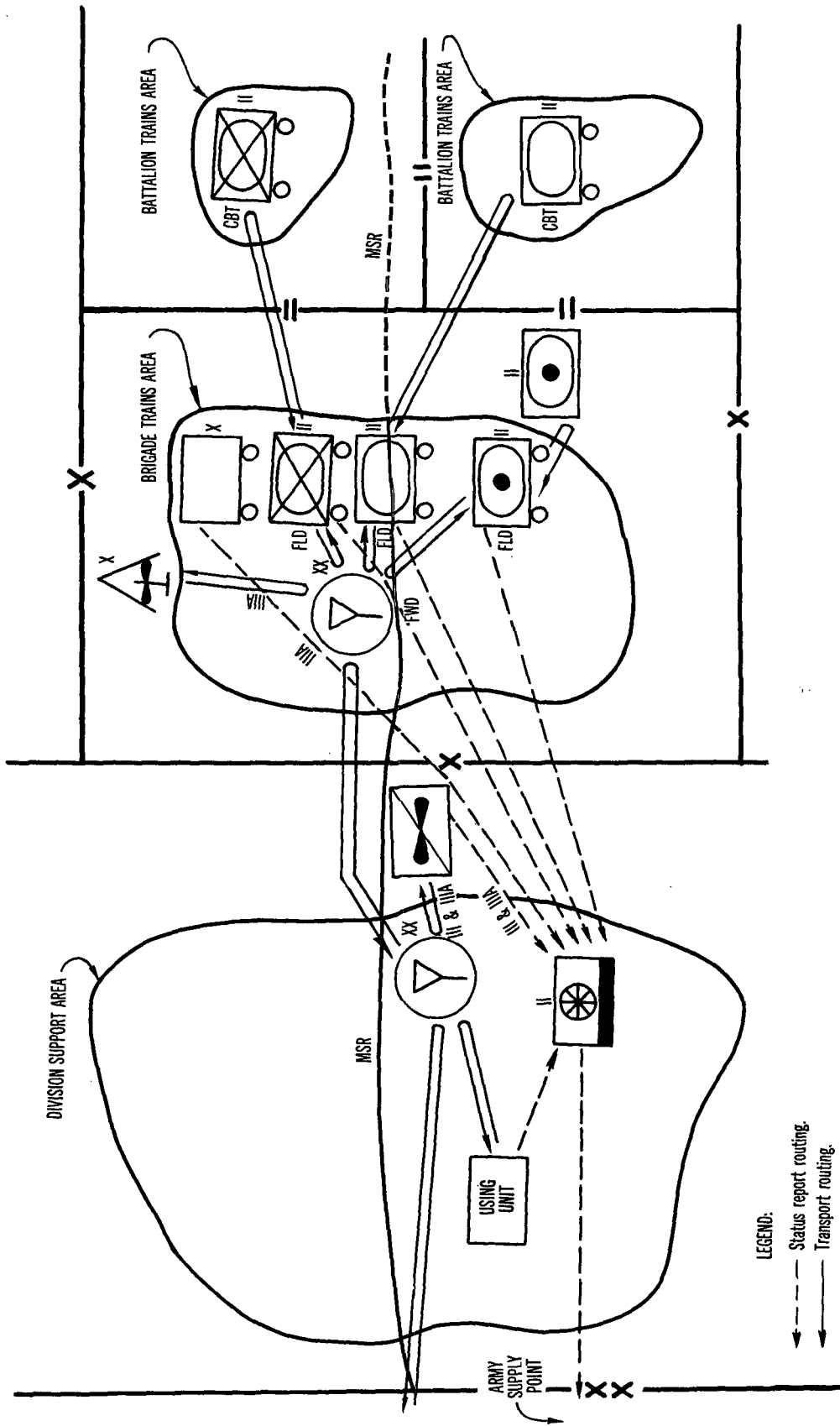


Figure 20. Flow diagram for classes III and IIIA supplies.

LEGEND:
 - - - - - Status report routing.
 - - - - - Transport routing.

of status reports and transport for classes III and IIIA supplies.

b. Distribution. A combination of unit and supply point distribution is normally employed in supplying bulk class III to the division. The field army normally will transport bulk fuel to the division class III distribution points located in the division support area and in the brigade areas and there transfer the fuel to division tankers. When supply point distribution is used, however, the division transports its fuel from the field army supply installation to the division distribution point using the supply and transport battalion tankers. When expedient, the battalion may exchange empty for full tankers at the field army supply point or the division distribution point. Unit distribution, using tankers, is the normal method of distribution within the division. Some of the tankers operate from the class III distribution point in the division support area to support units in the division rear area. Some of the tankers may also be allocated to the forward class III distribution points in the brigade train areas, in which case a combination of unit and supply point distribution is used. When major elements of the division are operating on independent missions, additional tankers are normally attached to those elements. Individual vehicles are refueled at division mobile filling stations.

- (1) The organic tankers of the brigade headquarters, division artillery headquarters, aviation battalion, and air cavalry troop are used for class IIIA supply of their respective units. The supply and transport battalion provides tankers for the supply of all additional class IIIA requirements either by attachment of tankers directly to the organizations having aircraft or by allocating tankers to the class III distribution point supporting these organizations.
- (2) The main reliance for class III supply in the airborne division is placed on packaged products delivered by airdrop or airlanding in the objective area. In garrison or in marshaling areas, the class III supplies are delivered to the division units by tank trucks from nondivisional agencies. If the airborne division is committed to a sustained ground role, it is normally augmented for supply of bulk class III supply.

c. Reserves. The division maintains a reserve of class III and IIIA supply in the fuel system supply

point and replenishes the loads of its tankers as rapidly as they are exhausted.

80. Class IV Supplies

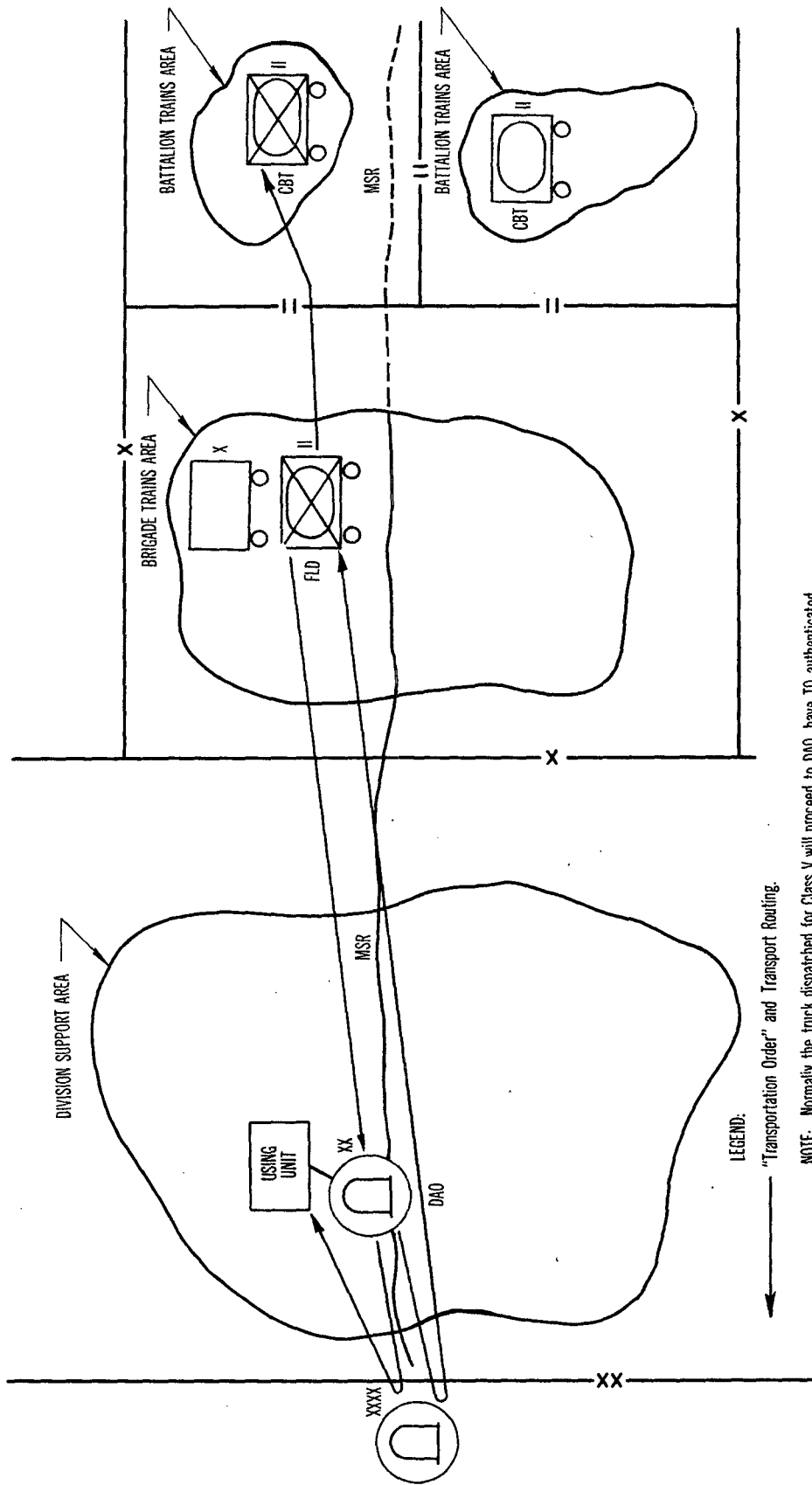
Requisitions for class IV supplies are submitted through command channels for approval. Once command approval is given, class IV supply is provided generally in the same way as is class II. Fortification materials are normally delivered by the field army units supporting the division and are carried as far forward as possible without transshipment. For supply and distribution of maps, see paragraph 81.

81. Class V Supplies

Class V supplies are not normally provided directly by the division support command, except in the airborne division. However, the division ammunition officer (DAO) normally authenticates all requests for ammunition and in this way controls the flow of ammunition. The DAO may locate a control point along the MSR to coordinate and control the flow of ammunition requests (transportation orders) and supplies. In the event an alternate MSR is designated, the DAO may have to set up a second control point along that route as well to authenticate ammunition requests. If required by the road net or deployment of units, the control point may be as far to the rear as the entrance to the supporting field army ammunition supply point. Figure 21 illustrates the ammunition flow.

a. Requisitioning. Requisitions (transportation orders) from using units are presented to the DAO or his representative for authentication. The normal basis for approval of the requisition is replacement of expenditure from the basic load and the announced available supply rate (ASR). Specific controls should be instituted to monitor and fill requests in excess of the basic load. The DAO maintains records of the ammunition requisitioned by each unit and controls the issue of regulated ammunition items. All ammunition requisitions are validated by the DAO or his representative before they are presented at any field army supply point or division dump. Overall coordination and control of class V supply is accomplished by the DAO.

- (1) He keeps issues of ammunition within the announced available supply rate.
- (2) He insures that units continuously maintain their authorized basic load of class V supplies.
- (3) He reports items of class V supply that are



NOTE: Normally the truck dispatched for Class V will proceed to DAO, have TO authenticated, and then proceed to Class V Supply Point. Selected items of conventional and special Class V Supply may be delivered to firing points by Army Ammunition Supply Units

Figure 21. Flow diagram for class V supplies.

in short supply so that appropriate corrective action can be taken at all levels. The relatively great distances between the DAO and the support command CP and the need to keep the support command commander continuously informed of the Class V supply situation make it necessary that effective radio communications be maintained.

b. Distribution. Ammunition is normally supplied by means of supply point distribution. The ammunition vehicles of the using units return to the field army ammunition supply point to replenish the basic load of the unit. The airborne division, however, operates mobile ammunition dumps in the division support area. Other type divisions may request that field army ammunition supply units set up forward supply points in the division support area during fast moving situations. Selected items may be delivered to firing points by the field army ammunition brigade.

c. Reserves. The airborne division support command carries small reserve stocks of selected ammunition. The armored, infantry, and mechanized divisions do not normally carry a reserve of class V supply; the only ammunition held in these divisions is in the basic loads of division units. In some tactical operations a division may be authorized to place ammunition on position for future use so that it can begin a subsequent operation with its basic

load intact. The division commander may request that a field army ammunition point be established in or near the division area if this would aid in the accomplishment of the division mission.

d. Supply of Nuclear, Chemical, and Biological Weapons. Supply procedures for these weapons are described in FMS 101-31-1, 101-31-2, 101-31-3, 101-40 and appropriate field manuals of the 9-series.

82. Water

The division engineer battalion is capable of operating five water points. It is desirable that not more than four water points be operated at any one time, however, to facilitate displacement and maintenance of the equipment. Water points are established in the most convenient locations preferably in the brigade trains area. Units, using their own transportation, draw water from the nearest water point.

83. Maps

The division supply and transport battalion obtains bulk stocks of maps for the division from the supporting battalion map depot, distributes them to divisional and attached units, and stores the division reserve map stocks. Requirements are computed by the division engineer under the staff supervision of the ACofS, G2. Distribution of maps within the division is in accordance with priorities of allocation made by the G2.

Section II. LOGISTIC SUPPORT TRANSPORT

84. General

Employment of vehicles in the division supply and transport battalion is normally controlled centrally (fig. 22). To the extent practicable, every transportation dispatch is made to serve two purposes. For example, trucks that transport supplies forward to the brigade areas or the units are used to evacuate salvage, prisoners of war, and the dead.

85. Transportation Means

Normal means of transport within the division are trucks and aircraft.

a. Trucks. The vehicles of the supply and transport battalion perform most of the division logistic support transportation tasks. In the infantry and airborne divisions, division transportation must be augmented when it is necessary to move the division by motor in a single lift. This augmenting transportation is normally attached directly to using units.

b. Aircraft. The aviation battalion is organized

to provide aircraft support to the division to include limited logistic airlift support. Its use for logistic support (fig. 23) is generally confined to tasks for which it is uniquely suited, and it is employed in accordance with the division commander's priorities and policies.

86. Allocation and Control

Supply and transport battalion transportation is normally kept under support command control. In a fast-moving situation, or when a unit is operating on a semi-independent mission, additional transportation elements may be attached. The employment of transportation for logistic support is controlled by the support command commander through the transportation officer who coordinates priorities with the G3 and G4. Transportation may be allocated to the support command units supporting the brigades or to the battalion trains to assist in supply operations.

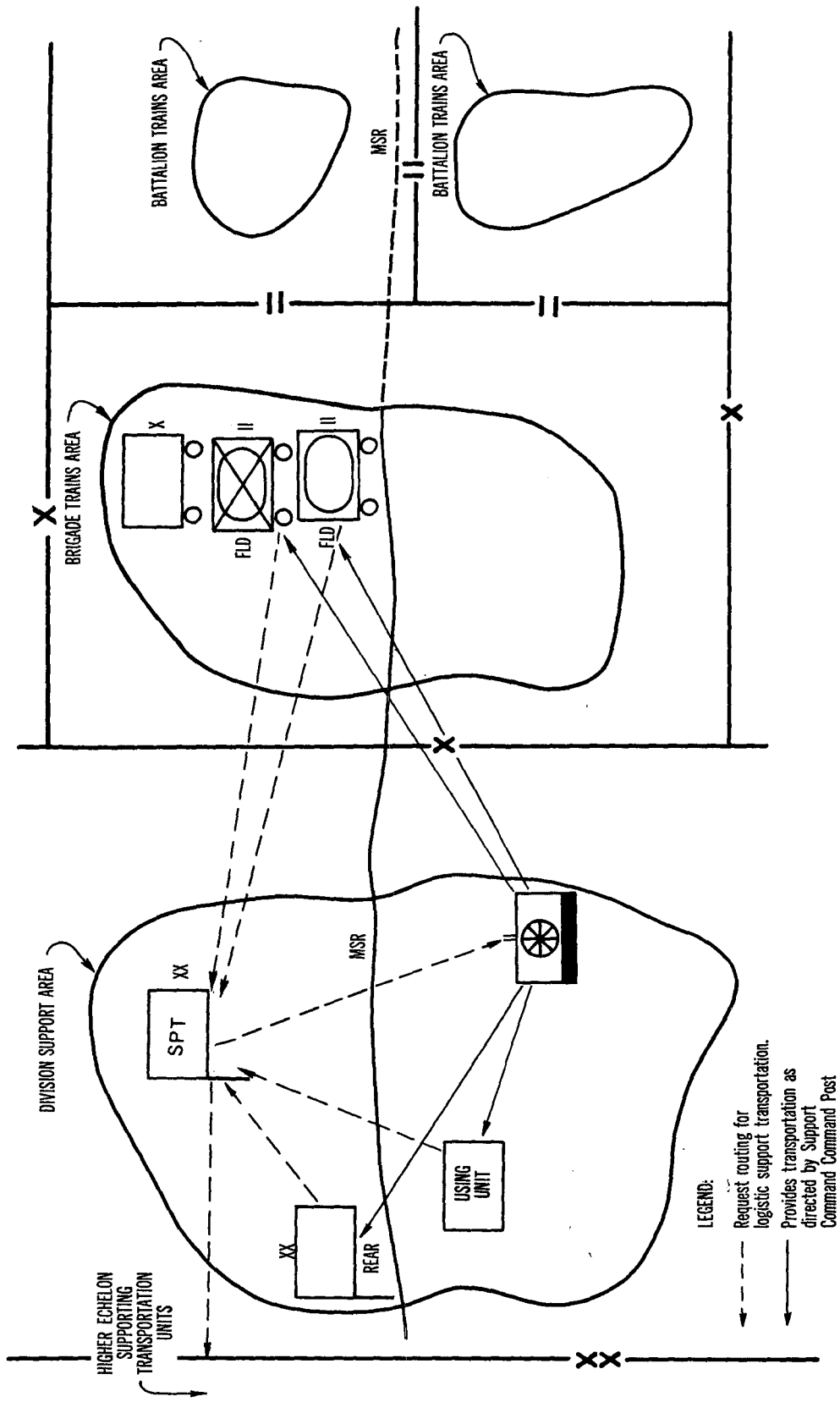


Figure 22. Flow diagram for transportation.

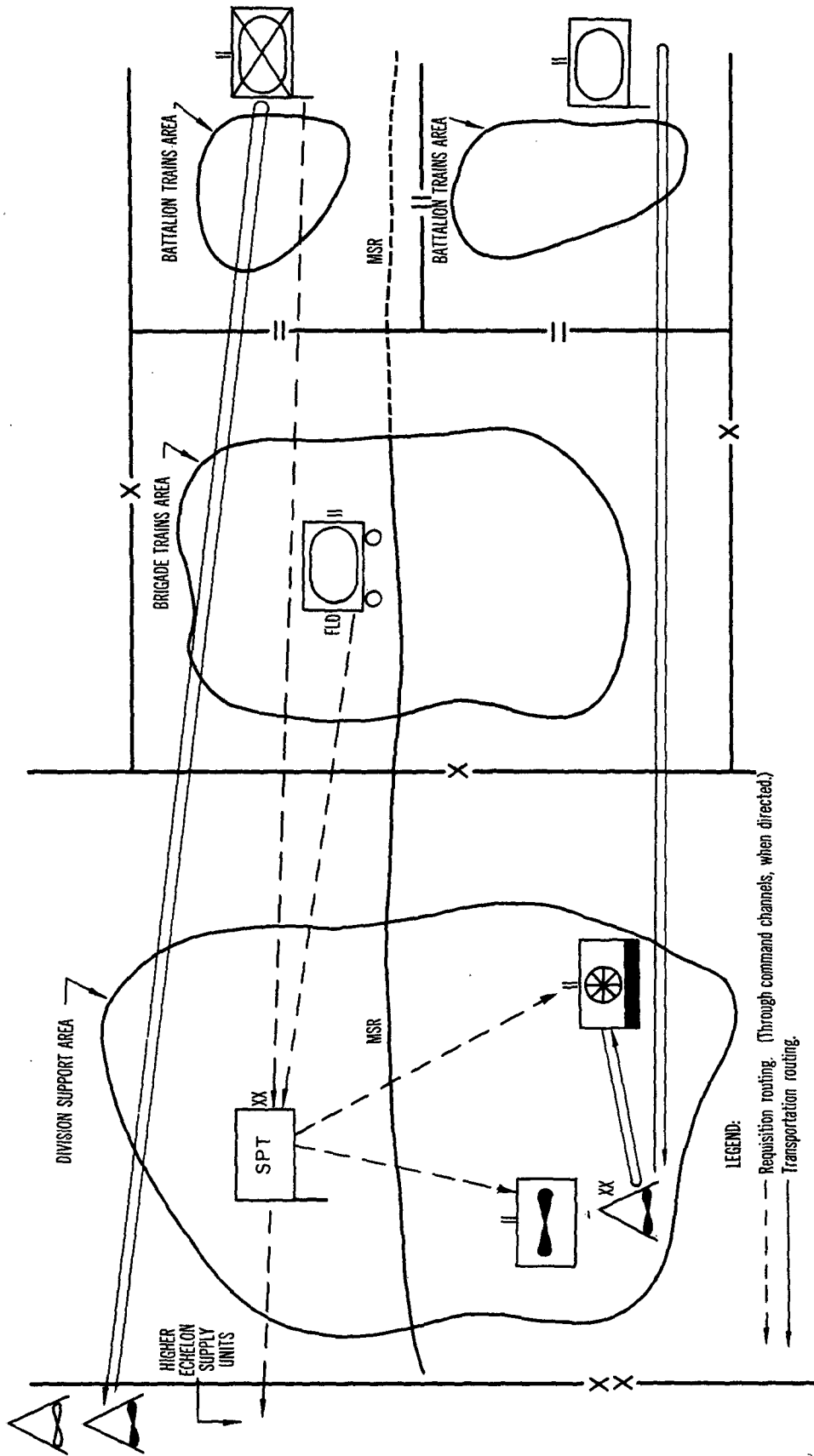


Figure 23. Flow diagram for aerial supply.

CHAPTER 8

DIVISION MAINTENANCE AND SERVICES PROCEDURES

Section I. MAINTENANCE AND REPAIR PARTS

87. Maintenance Tasks

The maintenance battalion of the support command is a direct support unit that performs for the division the inspection of organizational maintenance and provides repair parts supply and direct support maintenance for all equipment except cryptographic, electrical accounting, airdrop, and medical. Maintenance of cryptographic equipment is performed by the signal battalion; organizational maintenance of electrical accounting equipment is performed by the administration company; and organizational maintenance of medical equipment is performed by the medical battalion. The FASCOM light equipment maintenance company maintains EAM. The FASCOM medical brigade performs direct support maintenance of medical equipment. Airdrop equipment is maintained by the air equipment support company, organic to the airborne division only. The maintenance battalion is organized, equipped, and trained for close support of combat units of the division. Normally, a forward support company is placed in support of each brigade and operates in the brigade trains area. This company can be augmented by elements of the headquarters and main support company to provide balanced support. Figure 24 illustrates the maintenance flow.

a. Scope of Division Maintenance Management. The maintenance battalion commander is responsible for direct support maintenance management within the division. Maintenance management includes development and modification of operational procedures, as necessary; a continuous flow of timely and complete information to enable the maintenance battalion commander to make a continuous assessment of the status of equipment, requirements, and problem areas; realignment of missions, as necessary; supervision of operations; and the exchange of information with higher headquarters, supported units, supporting units, and attached units to facilitate proper direction and emphasis to the maintenance effort.

b. Maintenance Management Functions. Maintenance management is not merely a process of reacting to problems as they occur. Effective maintenance management keeps problems minimum by proper planning, supervision, and direction; by proper organization and assignment; by delegation of authority commensurate with responsibilities; by proper application of the principles of leadership; by proper use of time, personnel, facilities, and materiel resources; and by following up plans, programs, policies, and orders with timely staff visits, inspections, and reports. Maintenance management is a daily function and is, for the most part, routine.

c. Records and Reports. A complete listing herein of all records and reports maintained or processed by the maintenance battalion is not practical. Variations will exist from battalion to battalion. Some reports are submitted on a routine basis, others in response to specific, infrequent requirements. The battalion collects and processes division maintenance data into usable maintenance and materiel management intelligence and takes appropriate action. Details are contained in TM 38-750 and TM 38-750-1.

88. Repair Parts

Except for aircraft maintenance repair parts that are supplied by the aircraft maintenance company, the headquarters and main support company of the maintenance battalion serves as a base of supply for all repair parts, maintenance supplies, and maintenance float items needed to accomplish the battalion maintenance and maintenance supply missions. The battalion obtains and distributes repair parts and maintenance supplies required by its own maintenance activities. It obtains, stores, maintains, issues, and accounts for maintenance float items; provides the repair parts and maintenance supplies required by the forward support companies; and issues repair parts and maintenance supplies to the division and to the attached units it

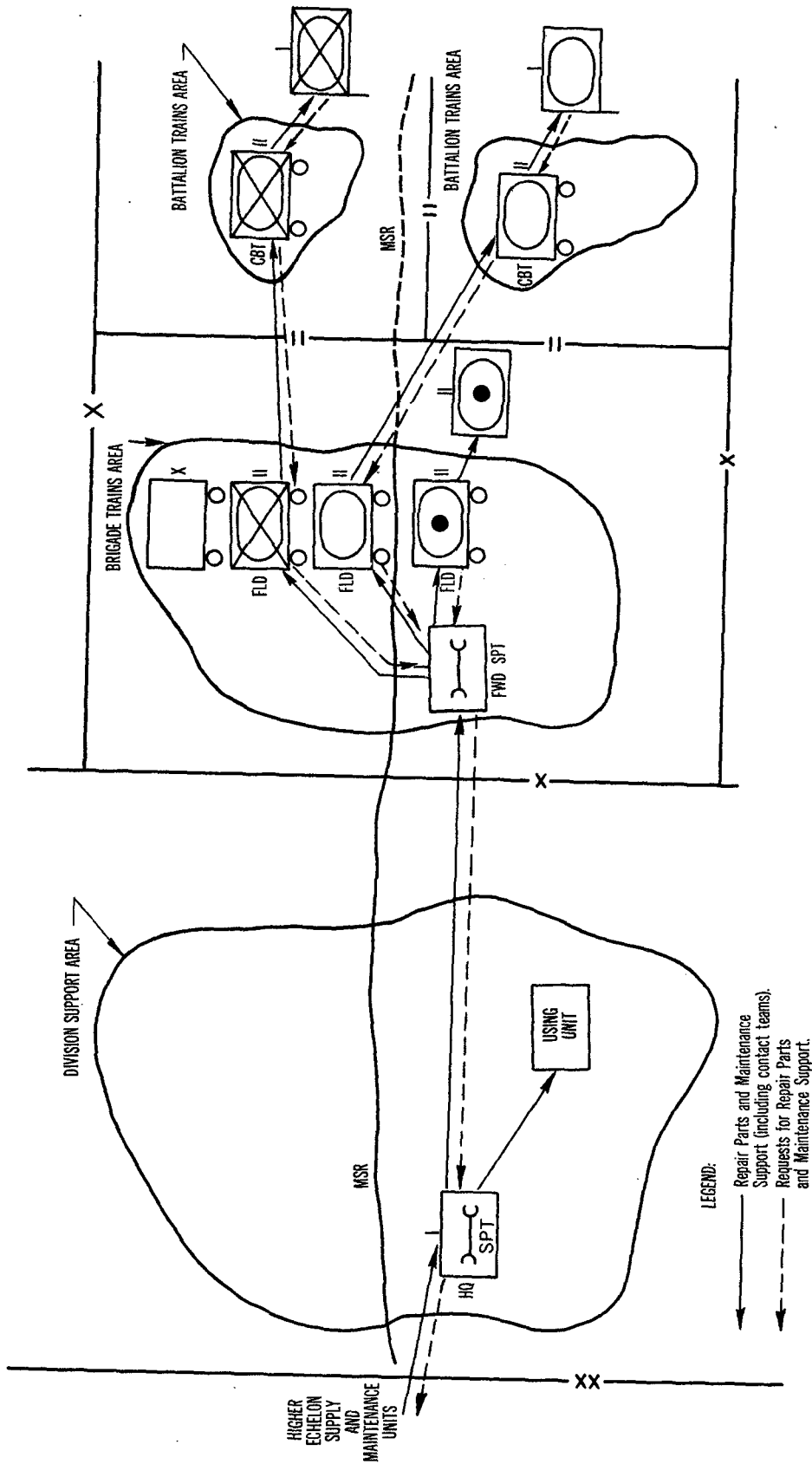


Figure 24. Flow diagram for classes II and IV repair parts and maintenance effort (less aircraft-items).

supports. Each forward support company maintains a stock of supplies to support its own maintenance activities and carries a stock of fast moving repair parts and maintenance supplies for issue to supported units. Direct exchange is used as much as possible.

89. Recovery and Evacuation of Materiel

All units are responsible for the recovery and evacuation of unserviceable and abandoned materiel. Recovered materiel must be protected from deterioration and pilferage and should be evacuated to the nearest collection point. Maximum use is made of on-site

repairs before unserviceable equipment is evacuated. Each unit will accomplish the recovery and evacuation within its capability, and request assistance from the maintenance battalion, when necessary. The physical movement of aircraft is the responsibility of the transportation aircraft maintenance company. Evacuation flow is shown in figure 25.

a. Maintenance Collection Points. In order to receive, segregate, and make proper disposition of recovered equipment, maintenance collection points are established within the division area. Those in the forward areas are operated by the forward support companies of the maintenance battalion.

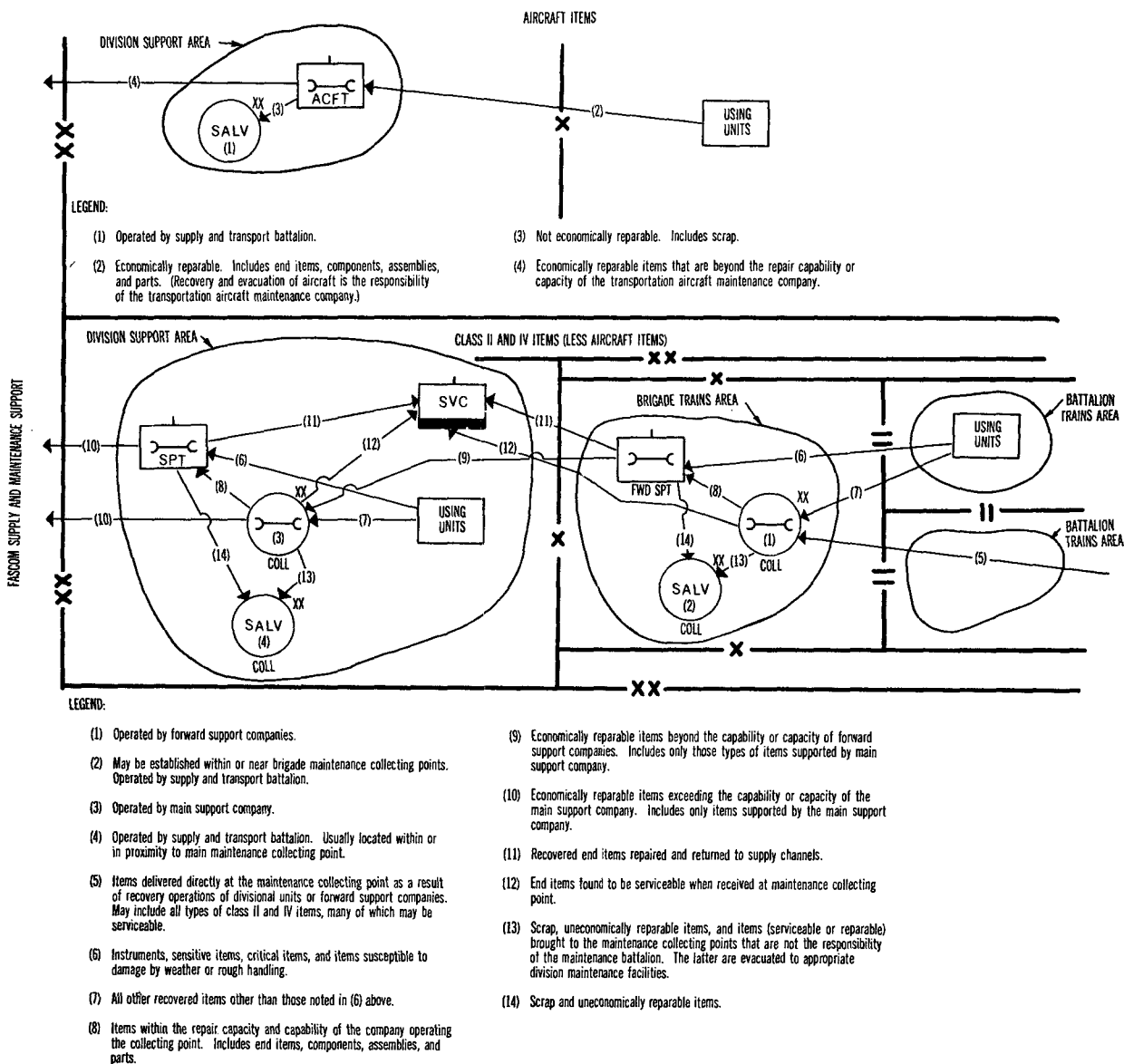


Figure 25. Evacuation flow.

The main division maintenance collection point is operated by the main support company. All recovered equipment except aircraft and aircraft items will be evacuated to a maintenance collecting point. Aircraft and aircraft items will be evacuated through aircraft maintenance channels to the main support section of the transportation aircraft maintenance company. Although the maintenance battalion has primary responsibility of operating the maintenance collecting points, the supply and transport battalion is responsible for furnishing personnel necessary to assist in identification and segregation of incoming materiel.

b. Salvage Collection Points. The supply and transport battalion is responsible for establishing salvage collection points. These normally will be within the maintenance collection points or in close proximity thereto. The salvage collection points assume responsibility for items for which the maintenance battalion does not have maintenance responsibility, for serviceable items to be returned to supply channels, and for scrap material. Physical

movement is not a condition essential to the assumption of control. Serviceable and unserviceable items for which the maintenance battalion is not responsible will be evacuated to division maintenance units for appropriate action (e.g., cryptographic items to the division signal battalion). Responsibility should be fixed for the security of cryptographic equipment during its delivery to the signal battalion.

90. Aircraft Maintenance and Supply

Army aircraft maintenance responsibilities within the division encompass organizational and direct support maintenance and aircraft repair parts supply (fig. 26). Organizational maintenance is performed by the aircraft crews assigned to the aircraft or by the parent unit, normally at the unit's base airfield, although repair teams may be sent to other airfields or heliports to perform specific maintenance tasks. Direct support maintenance and supply support is accomplished by the aircraft maintenance company of the maintenance battalion at division airfields and on site.

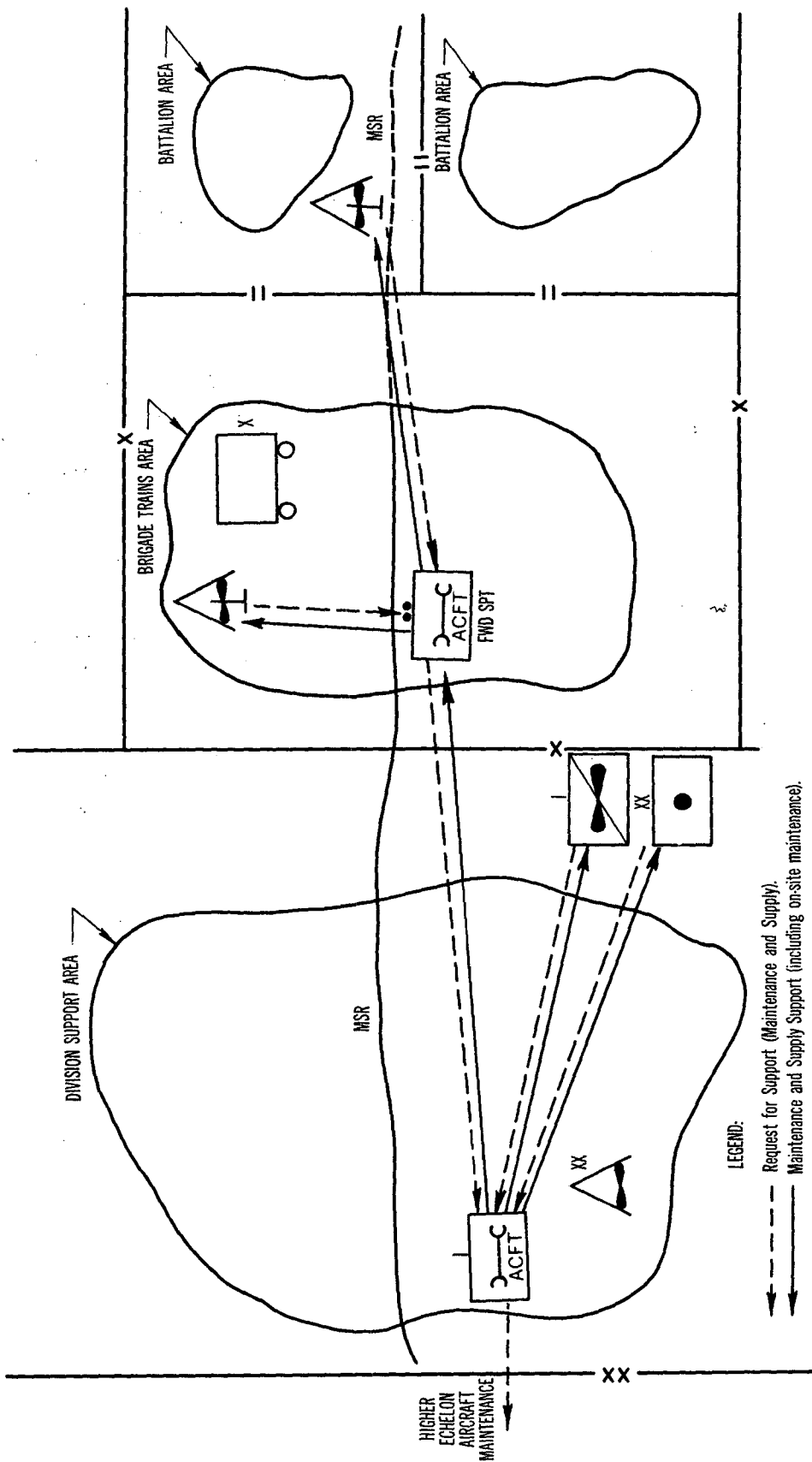


Figure 26. Flow diagram for aircraft maintenance and supply support.

Section II. MEDICAL SERVICE

91. Concept

If the tactical situation permits, some patients with short term medical illnesses may be kept in clearing stations for 2 or 3 days to avoid their loss from the division. The treatment given by the division medical service is designed either to return the soldier to duty within a short period of time or else to prepare him for further evacuation. Patients are normally evacuated from forward areas by higher echelon medical units. A mobile army surgical hospital may be located in the division area.

92. Medical Services

The elements of the medical battalion provide close and continuous medical support to units operating in the division area in accordance with the tactical situation (fig. 27). The headquarters and support company of the medical battalion operates in the division support area. The medical battalion supports the brigades by placing a medical company in support of, or in attachment to each brigade. Each medical company in support of a brigade is normally located in or near the brigade trains. Each medical company provides area support in addition to its mission of supporting a brigade. A medical company consists of a company headquarters, a clearing platoon, and an ambulance platoon. The headquarters and support company includes a clearing platoon and ambulance platoon identical to those in each medical company.

a. Each clearing platoon can establish a division clearing station to receive patients from the battalion

aid stations. Each clearing platoon can also be divided into two identical clearing stations for displacement and short-duration operations. The medical company displaces by leapfrogging and echeloning the clearing stations. The headquarters and support company clearing platoon may be used to provide a clearing station for area support of the division support area and units operating in the division rear area, to reinforce or replace another clearing platoon, to provide emergency aid stations for area damage control, or to support a separate task force. When the clearing and ambulance elements of the headquarters and support company are committed in a role other than area support to the rear area troops, reinforcement of the division medical battalion by field army medical support is required.

b. Ambulance platoons operate in close association with the clearing platoons. The ambulance platoons transport patients from unit aid stations to the clearing station or, in an emergency, to the field army treatment facility supporting the division. Ambulance platoon leaders maintain contact with the unit surgeons in the brigade they support.

c. Limited aeromedical evacuation support is available from the aviation battalion or from medical air ambulance elements attached to or in support of the division. Requests for aeromedical evacuation should be made by the most expeditious means available.

d. For details of division medical service, see FM 8-15.

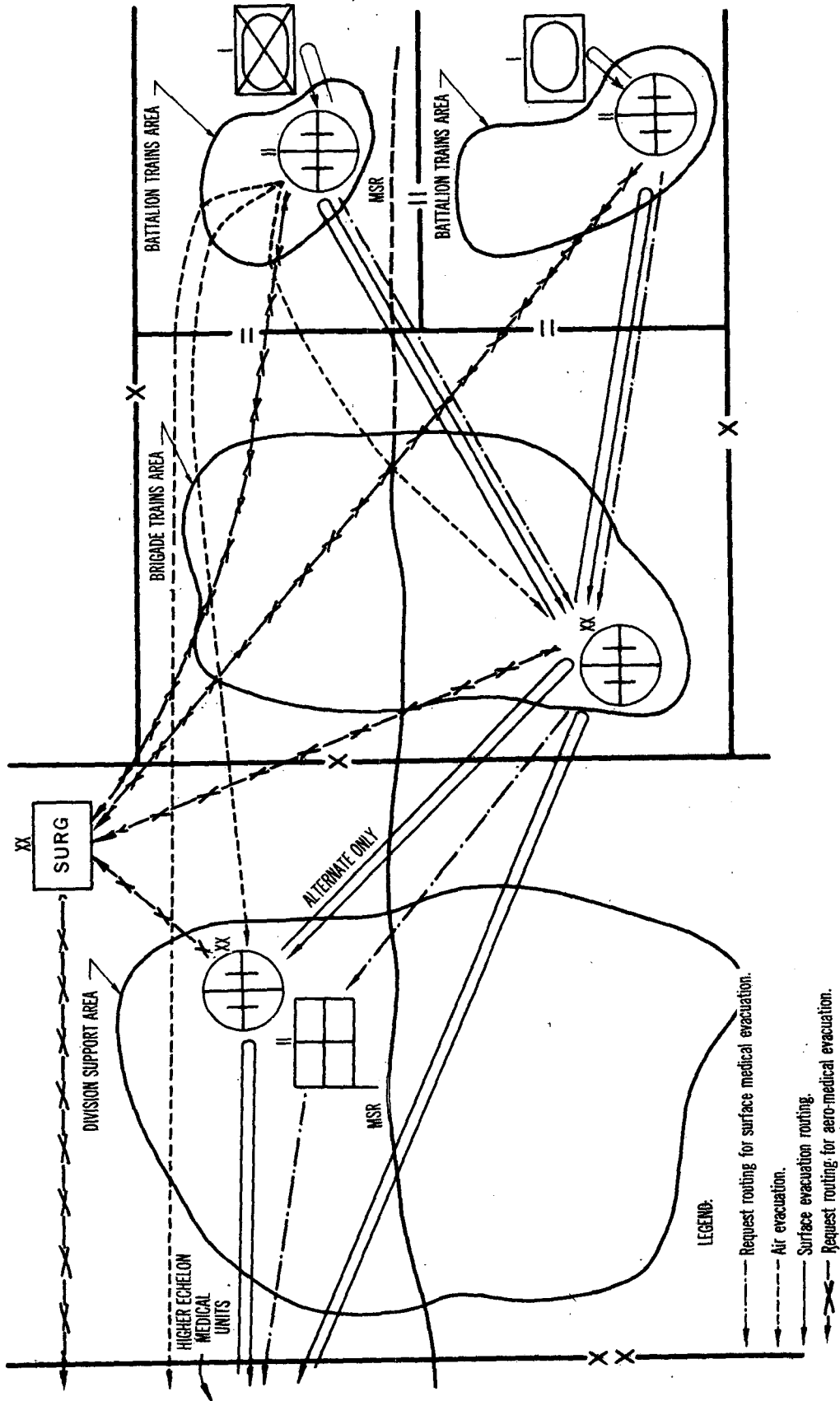


Figure 27. Flow diagram for evacuation of patients.

Section III. MISCELLANEOUS SERVICES

93. Bath and Clothing Exchange Service

The supply and transport battalion provides bath service to the troops of the division, when properly augmented. The bath section of the supply and service company can serve troop units in nine separate locations. When arrangements are made for additional operating personnel and clothing stocks, the supply and transport battalion may establish a clothing exchange service at the bath points.

94. Graves Registration

The dead are normally evacuated from the division area for interment (fig. 28). Isolated burials in the division area are resorted to only as an emergency measure.

a. Collection and Evacuation. When in combat, the division is augmented with a graves registration platoon attached to the supply and service company of the supply and transport battalion.

- (1) The division collection, identification, and evacuation section of this platoon operates the division graves registration collection point. The graves registration collection point is located a short distance from the main supply route near the supply and service company in the division support area. It is isolated from other activities. Evacuation of the dead from division clearing stations to the graves registration collection points is the responsibility of the graves registration platoon.
- (2) Collection and evacuation sections of the platoon establish collection points in the brigade trains area to receive the dead from combat units, identify the bodies, and arrange for evacuation of the dead to the division graves registration collection point. Combat units are responsible for recovery and evacuation of their dead to the nearest collection point.

- (3) The platoon provides technical advice and, when possible, assists the combat units in evacuation of the dead.
- (4) The dead are identified as early and as completely and accurately as possible. They are normally evacuated with their effects from forward areas in transportation returning from other tasks. Evacuation of the dead from aid stations to the graves registration collection points is the responsibility of the unit to which the aid station is assigned. In a nuclear situation, special graves registration task groups may be formed and provided with sufficient transportation means to evacuate the dead promptly.

b. Isolated Burials. Isolated burials are fully documented and reported promptly through graves registration channels. Details of graves registration service are covered in FMs 10-63, 100-10, 101-5, and AR 638-30.

95. Evacuation of Captured Materiel

Captured materiel is evacuated to the nearest maintenance collection point. The collection point will report receipt of the materiel to the division G2 and request disposition instructions.

a. Materiel such as ammunition and other items suspected of being dangerous will not be moved. They will be guarded, if practical, and reported expeditiously to the division ammunition officer.

b. Usable captured materiel may be distributed through normal supply channels upon approval of the division commander. Equipment, fuels, lubricants, and ammunition should be examined and approved prior to being used.

c. Captured medical supplies are handled in accordance with the rules of land warfare as set forth in FM 27-10. They are turned in to medical supply installations for inspection prior to reissue or use. Such supplies are of particular value for use in fulfilling civil affairs requirements and by prisoners of war in treating their sick and wounded.

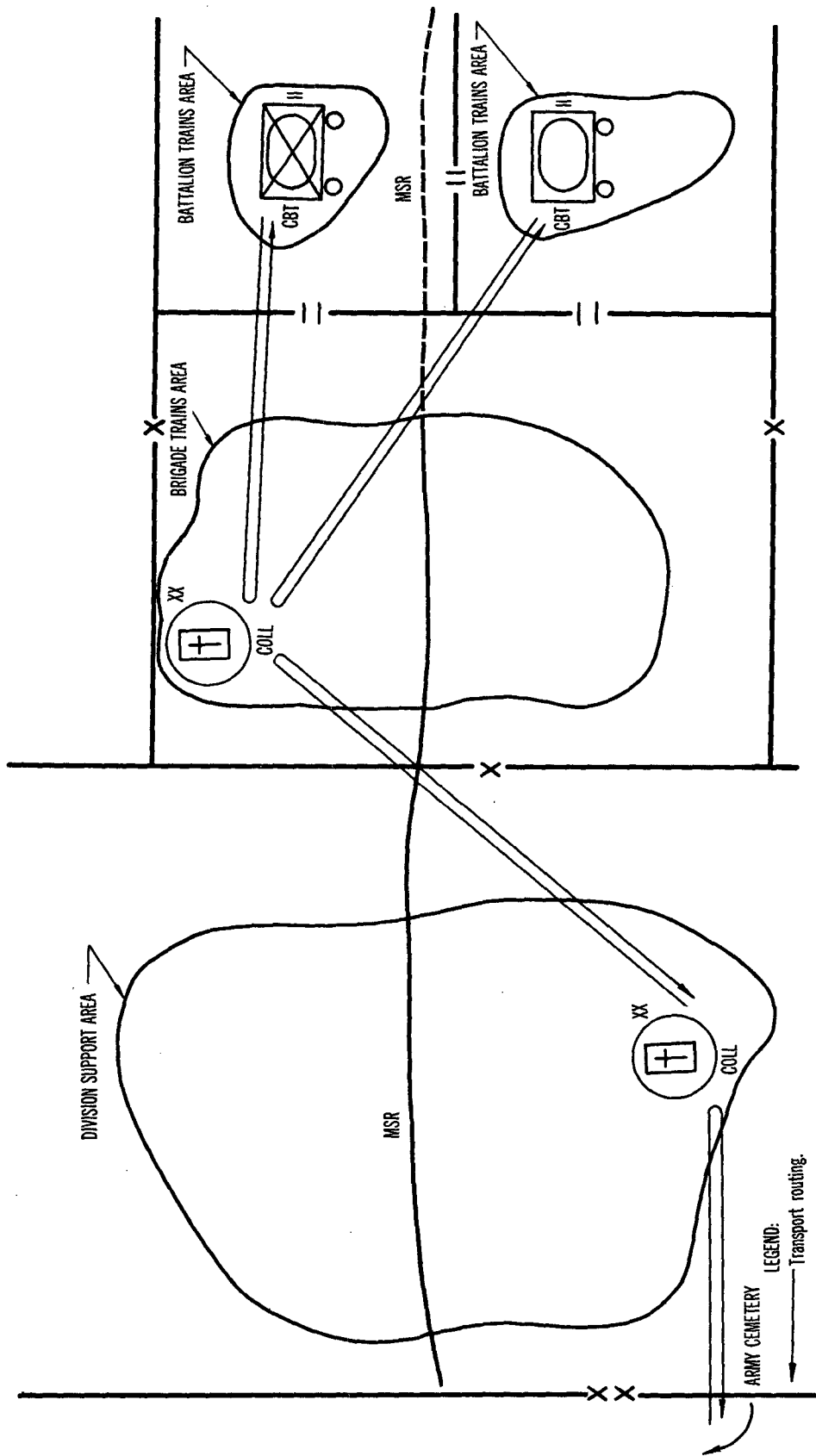


Figure 28. Flow diagram for evacuation of the dead.

CHAPTER 9

LOGISTIC SUPPORT FOR SPECIAL OPERATIONS

Section I. AIRBORNE OPERATIONS

96. General Considerations

Planning for logistic support of airborne operations is similar to that for logistic support of other combat operations. However, additional considerations affect the development of detailed plans. These include facilities available for marshaling; quantities of supplies to be delivered to departure airfields and the time of delivery; number, size, type, and loading characteristics of available aircraft; materials handling equipment available; distance between departure airfields and drop and landing zones in the objective area; and the characteristics of the proposed airheads, including the road net, storage, airlanding, and other facilities. Additional important considerations are the duration of automatic followup supply; estimate of supplies, equipment, manpower, and materials available from local sources in the objective area and the amount necessary to meet minimum civilian requirements; climate and weather; amount and type of transport within the objective area; and the capabilities and limitations of combat support elements in departure and objective areas. Details are contained in FM 57-10 and FM 57-100.

97. Echelons

The airborne division support command normally is divided into three echelons for airborne operations. These echelons are brigade attachments, the rear echelon, and the support command elements normally located in the division support area. Each brigade attachment, consisting of a medical company, maintenance forward support detachment, and elements of the supply and transport battalion, enter the airhead under the control of the brigade commander. The rear echelon, consisting of the administration company and the air equipment support company, normally does not enter the airhead although certain elements may enter as required. The remainder of the support command to include elements of the medical battalion, the supply and transport battalion, and the maintenance battalion, enters the airhead under support command control, at an appropriate time following the air assault. The support command commander and a small staff may enter with the assault elements.

Section II. SITUATIONS SHORT OF WAR

98. General

In situations short of war, the activities of field army units, including logistic support units, may be made more difficult than in full-scale war by the necessity to conform to treaty obligations, rules and regulations of local governments, and local customs and traditions. In such situations, logistic support is often made more difficult because of the need for providing support to forces on maneuvers and exercises although limited by essentially peacetime restrictions and reporting requirements. Moreover, the strategic deployment of units overseas may be restricted by transportation limitations

and the time involved. These restrictions may be lessened by the stockage forward of supplies and equipment in critical areas, thus reducing the tonnages which would otherwise have to be transported with the units. When employed independently, units normally are reinforced to insure sustained support.

99. Logistic Support

Certain aspects of logistic support for operations in situations short of war require special consideration. If the division is relatively concentrated, the logistic support problem is lessened; however,

when its elements are widely deployed, the distances involved present conflicting requirements for transportation and security. The desirability of concentrating to facilitate security of logistic support units and supplies is balanced against the need to fragment distribution points and maintenance units to make support readily available to the user and to reduce transportation and distribution requirements. In addition, in a situation short of war on foreign soil, specific limitations may be placed on the use of roads, buildings, railroads, airspace, installations, and terrain. Limitations on the availability of security troops and transportation may be controlling factors.

a. Planning for logistic support of combat operations in event of war must provide for area damage

control and for rear area security requirements. Intelligence efforts of the division are directed toward revealing the enemy's potential for infiltration operations and nuclear warfare, both of which offer major threats to division rear area operations.

b. Logistic support units and supplies are located to support known and contingent operational requirements and to lessen the need for major relocation to support the various operation plans.

c. Logistic support units are capable of limited humane relief services such as the provision of food, clothing, and medical treatment to the population. Assistance of this type, when units and supplies are available, may help accomplish the division mission.

Section III. OPERATIONS AGAINST IRREGULAR FORCES

100. General

In operations against irregular forces, logistic support installations are located to support dispersed operations.

a. When operations are conducted against guerrilla redoubts and safe areas, the frequently difficult terrain hinders supply and evacuation of division elements. Maximum use is made of air transport. When supply by other means is impractical, the division resorts to hand carry; maximum use is made of local labor.

b. A constant concern of the division in antiguerrilla operations is the vulnerability of the division logistic support elements and portions of the division rear. Since guerrilla forces generally live off the land, special precautions are taken to prevent the enemy from controlling friendly facilities and from confiscating supplies and ammunition.

101. Logistic Support Considerations

Each unit of the division provides for its own local security against guerrilla action to the extent of its capabilities. Special consideration must be given to providing means for the protection of nuclear munitions.

a. Logistic support units are located to meet the requirements peculiar to their special functions in support of combat elements and, when feasible, to contribute to mutual defense. Support command elements not required in the vicinity of tactical elements are normally located in the division support area for their security and defense.

b. In situations when guerrillas are active against division lines of communications and employment of air transport is not feasible, a combat unit may be provided to escort convoys.

Section IV. JUNGLE OPERATIONS

102. General

The special conditions affecting logistic support in jungle warfare limit the extent of operations, rate of movement, and the strength of forces employed. The availability of trails, roads, and waterways; the density of natural growth; the season; and general terrain conditions have a direct influence on the type of transportation that can be used and, consequently, on the functioning of supply systems. Logistic requirements must be anticipated well in advance of actual needs. Planning will conserve transportation facilities. All classes of supplies must be closely

supervised in order to exclude surplus and nonessential items.

103. Transportation of Supplies

Because of the lack of routes of communication and the difficulties involved in constructing roads and trails, transportation presents a series of problems in jungle operations. For maximum efficiency, the use of all modes of transport should be considered.

a. Air transportation is an important factor in the supply support of jungle operations. Emergency

supplies can be airlifted to units when all other means of transport fails. Army airplanes and helicopters can be used.

b. Waterborne transportation is the most economical and often the surest means of supply. Supplies transported over waterways are less susceptible to loss or damage.

c. Wheeled transportation is generally impracticable except on roads. Engineer and pioneer units can improve trails to accommodate $\frac{1}{4}$ -ton vehicles. Tracked vehicles are generally reliable to deliver supplies in jungle operations; however, their use increases maintenance problems.

104. Supply Requirements

Requirements for all classes of supply are affected by jungle conditions.

a. Class I ration supplies consist primarily of nonperishable canned, dried, or dehydrated items. Packaged rations (individual combat meal or small detachment rations) normally will be issued to units engaged in combat.

b. Class II supplies, particularly clothing, shoes, and socks, deteriorate rapidly. For items of this nature, requirements must be estimated well in advance and provisions made for adequate resupply.

c. Class III supplies are not required in as great a quantity as for other operations because fewer vehicles are used. However, units will establish class III distribution points for vehicles that are operated. Tank trucks will be used as far forward as possible; 5-gallon cans will be used when tank trucks cannot.

d. Class IV items will, for the most part, be special items of individual and unit equipment. In many cases, the equipment normally authorized a unit will be augmented by additional allowances and special items of clothing and equipment.

e. Class V supplies, because of their weight and bulk, often present the most difficult resupply problem. Resupply by air, close control exercised by all leaders over ammunition expenditures within their units, and the employment of the appropriate weapons for the fire mission, offer the best solution.

Section V. MOUNTAIN OPERATIONS

105. General Considerations

Logistic support is greatly affected in mountain operations. Time and space factors are never fixed, but vary constantly with the configuration of the terrain, the altitude, the scarcity of roads, and the season. In general, a comparatively great amount of time must be allowed for movement of troops and supplies. Distance is measured in time rather than kilometers. Vertical distance between two points is often greater than horizontal distance.

106. Supply Requirements

Estimates of supply requirements must be made early in mountain operations because of the time needed for movement of supplies along the usually small number of steep and difficult routes, and because of the difficulties in organizing supply functions.

107. Aerial Supply

Supply or resupply by air can be used under

various conditions by parachute drop, free drop or cargo helicopters, when ground supply units encounter terrain difficulties. However, unpredictable weather and air currents, cloud-covered peaks, and lack of emergency landing places make this method hazardous, especially in alpine terrain.

a. *Class I.* Combat rations and small detachment rations will normally replace field ration A, but one hot meal per day should be served when possible. Hot meals may be prepared in trains areas and brought forward in vehicles or helicopters.

b. *Class III.* Fuel requirements must be carefully estimated and adequate resupply planned.

c. *Class IV.* Special clothing and equipment are usually required for mountain operations. For detailed information see TM 10-275.

d. *Class V.* Ammunition distribution points must be forward and kept relatively close to the front-lines to reduce delay.

Section VI. AMPHIBIOUS OPERATIONS

108. General

Logistic support planning for amphibious operations is characterized by the necessity for concurrent, parallel, and detailed planning by all participating forces. Logistic support plans must be flexible because of the unforeseen contingencies which may confront the attacking forces due to the lack of prior contact with the enemy.

109. Resupply

Initially, the landing force must rely on forces

afloat to provide continuing and coordinated logistical support during that period in which the logistic support is primarily ship-based. As the landing force advances, supply points are established on the beaches. After the assault force has advanced and enlarged the beachhead, distribution points for each class of supply are established on the beach. As the beachhead continues to be expanded and the landing forces move farther inland, normal land operations and logistic functions will be resumed.

Section VII. DESERT OPERATIONS

110. General Considerations

A unit's effectiveness in the desert is dependent to a large degree on the supplies and transport available. An important factor of logistic support in the desert is the reduction of supply and resupply requirements to essential mission items. Desert operations cause an increase in consumption rates for some types of supplies. Some examples of increased supply needs are lightweight clothing, water, petroleum products, and camouflage nets. See FM 31-25.

111. Requirements

Desert operations are characterized by rapid movement and wide frontages. Each commander must estimate his immediate needs and plan for long-range requirements at increased distances. As supply distances increase, the turnaround time for transportation also increases.

a. Class I and Water. Commanders should check rations closely since calorie intake needs are less in extreme heat. A critical factor in desert operations is the lack of water. Water sources are few and often contain harmful mineral salts.

b. Class II and IV. Requirements for class II and IV supply must be determined carefully to ensure an adequate supply of special clothing, spare parts, communications equipment, and special equipment.

c. Class III. Requirements for class III supply and resupply are greatly increased because of the greater distances involved. Additional tankers and increases in fuel authorizations may be required.

d. Class V. Expenditure of ammunition must be carefully controlled because of the increased transportation requirements in moving ammunition over greater distances.

112. Maintenance

Maintenance is vital in desert operations. Long supply lines and minimum stocks on hand increase the time needed to obtain replacement items. The degree of mobility of a unit in desert operations is dependent upon how well the difficulties of vehicle maintenance are overcome. Certain factors should be given special consideration—

a. Overheating. Overheating is one of the major problems in desert operations and causes severe damage to vehicles.

b. Air cleaner. Air cleaner maintenance is essential in desert operations if any degree of prolonged engine life is to be maintained. (In World War II desert operations, air cleaners sometimes had to be cleaned hourly.)

c. Servicing equipment. All exposed bearings must be kept free of sand and dust.

d. Tires. The heat, sand, and rough ground shorten tire life.

e. Cooling system. The cooling system should be flushed and cleaned frequently.

f. Repair parts. Vehicle repair parts are needed in much greater quantities.

g. Weapons. Windblown sand damages weapons. Extra precautions must be taken to keep weapons clean.

APPENDIX I REFERENCES

FM 1-5	Army Aviation Organization and Employment
FM 1-15	Aviation Battalion
FM 1-60	Army Aviation Air Traffic Operations—Tactical
FM 1-100	Army Aviation
FM 3-5	Chemical, Biological and Radiological (CBR) Operations
FM 3-10	Chemical and Biological Weapons Employment
(S) FM 3-10A	Chemical and Biological Weapons Employment (U)
FM 3-12	Operational Aspects of Radiological Defense
FM 5-135	Engineer Battalion, Armored, Mechanized and Infantry Divisions
FM 5-136	Engineer Battalion, Airborne Division
FM 5-144	Engineer Shore Assault Units
FM 6-20-1	Field Artillery Tactics
FM 6-20-2	Field Artillery Techniques
FM 7-11	Rifle Company, Infantry, Airborne, and Mechanized
FM 8-15	Division Medical Service, Infantry, Airborne, Mechanized and Armored Divisions
FM 8-35	Transportation of the Sick and Wounded
FM 8-55	Army Medical Service Planning Guide
FM 9-1	Ordnance Service in the Field
FM 9-5	Ordnance Ammunition Service
FM 10-8	Air Delivery of Supplies and Equipment in the Field Army
FM 10-50	Supply and Transport Battalion, Division Support Command
FM 10-60	Supply of Subsistence in a Theater of Operations
FM 10-63	Handling of Deceased Personnel in Theaters of Operations
FM 11-50	Signal Battalion, Armored, Mechanized, and Infantry Divisions
FM 11-57	Signal Battalion, Airborne Division
FM 11-86	Combat Area Signal Battalion, Army
FM 12-11	Administration Company, Airborne, Armored, Infantry, and Mechanized Divisions
FM 16-5	The Chaplain
FM 16-100	Character Guidance Manual
FM 17-1	Armor Operations
FM 17-15	Tank Units, Platoon, Company, and Battalion
FM 17-30	The Armored Division Brigade
FM 17-36	Divisional Armored and Air Cavalry Units
FM 19-25	Military Police Traffic Control
FM 19-40	Enemy Prisoners of War and Civilian Internees
FM 21-5	Military Training Management
FM 21-11	First Aid for Soldiers
FM 21-26	Map Reading
FM 21-30	Military Symbols
FM 21-40	Small Unit Procedures in Chemical, Biological, and Radiological (CBR) Operations
FM 21-41	Soldier's Handbook for Chemical and Biological Operations and Nuclear Warfare
FM 21-48	Chemical, Biological, and Radiological (CBR), and Defense Training Exercises

FM 22-100	Military Leadership
FM 24-16	Signal Orders, Records, and Reports
FM 24-17	Tactical Communications Center Operations
FM 24-18	Field Radio Techniques
FM 26-5	Interior Guard
FM 27-10	The Law of Land Warfare
FM 30-5	Combat Intelligence
FM 30-7	Combat Intelligence, Battle Group, Combat Command, and Smaller Units
FM 30-9	Military Intelligence Battalion, Field Army
(C) FM 30-15	Intelligence Interrogation (U)
FM 30-16	Technical Intelligence
FM 31-10	Barriers and Denial Operations
FM 31-15	Operations Against Irregular Forces
FM 31-16	Counter guerrilla Operations
FM 31-21	Special Forces Operations
FM 31-25	Desert Operations
FM 31-30	Jungle Training and Operations
(C) FM 31-40	Tactical Cover and Deception (U)
FM 31-50	Combat in Fortified and Built-up Areas
FM 31-60	River Crossing Operations
FM 31-70	Basic Cold Weather Manual
FM 31-71	Northern Operations
FM 31-72	Mountain Operations
(CM) FM 32-5	Communications Security (U)
FM 33-5	Psychological Warfare Operations
FM 41-5	Joint Manual of Civil Affairs/Military Government
FM 41-10	Civil Affairs Operations
FM 44-1	U.S. Army Air Defense Employment
(S) FM 44-1A	U.S. Army Air Defense Employment (U)
FM 44-96	Air Defense Artillery Missile Unit, Hawk (Battalion and Battery)
(C) FM 44-96A	Air Defense Artillery Missile Battalion (HAWK) (U)
FM 55-6	Transportation Services in Theaters of Operations
FM 57-10	Army Forces in Joint Airborne Operations
FM 57-35	Airmobile Operations
FM 61-100	The Division
(S) FM 100-1	Doctrinal Guidance (U)
FM 100-5	Field Service Regulations—Operations
FM 100-10	Field Service Regulations—Combat Service Support
FM 101-5	Staff Officers Field Manual—Staff Organization and Procedures
FM 101-10	Staff Officers Field Manual—Organization, Technical, and Logistical Data
FM 101-31-1	Staff Officers Field Manual—Nuclear Weapons Employment
(C) FM 101-31-2	Staff Officers Field Manual—Nuclear Weapons Employment (U)
FM 101-31-3	Staff Officers Field Manual—Nuclear Weapons Employment
FM 101-40	Armed Forces Doctrine for Chemical and Biological Weapons Employment and Defense
(S) TC 3-7	Capabilities and Employment of Biological Agents (U)
(C) TC 17-7	Aerial Surveillance Platoon, Division and Armored Cavalry Regiment (U)
TC 101-2	Tactical Operations Centers
TM 3-200	Capabilities and Employment of Toxic Chemicals
TM 3-210	Fallout Prediction
TM 3-220	Chemical, Biological, and Radiological (CBR) Decontamination
TM 5-700	Field Water Supply
TM 8-285	Treatment of Chemical Warfare Casualties

TM 10-275	Cold Weather Clothing and Sleeping Equipment
TM 11-5805-204-15	Operator, Organizational, Field, and Depot Maintenance, SB-611/MRC
TM 38-750	Army Equipment Record Procedures
TM 38-750-1	Maintenance Management Field Command Procedures
TM 57-210	Air Movement of Troops and Equipment
AR 11-14	Materiel Readiness
AR 165-15	Duties of Chaplains and Commanders' Responsibilities
AR 220-1	Unit Readiness
AR 220-10	Preparation for Oversea Movements of Units (POM)
AR 220-58	Organization and Training for Chemical, Biological, and Radiological Operations
AR 320-5	Dictionary of United States Army Terms
AR 320-50	Authorized Abbreviations and Brevity Codes
AR 638-30	Graves Registration Organization and Functions in Support of Major Military Operations
AR 711-16	DSU/Installation Stock Control and Supply Procedures
AR 711-17	Utilization and Processing of DA Forms 2765 and 2765-1, Request for Issue or Turn In
AR 725-50	Requisitioning, Receipt, and Issue System
AR 735-35	Supply Procedures for TOE Units, Organizations, and Non-TOE Activities
AR 750-5	Organization, Policies, and Responsibilities for Maintenance Operations
AR 750-10	Serviceability of Unit Equipment
AR 750-45	Materiel Readiness of Selected Equipment
DA Pam 108-1	Index of Army Motion Pictures, Filmstrips, Slides, and Phono-Recordings
DA Pam 310-Series	Military Publications Indexes
DA Pam 750-38	Army Equipment Records Procedures
JCS Pub 1	Dictionary of United States Military Terms for Joint Usage
JCS Pub 2	Unified Action Armed Forces (UNAAF)

APPENDIX II

REAR AREA SECURITY SOP

(Classification)

52d Mech Div Spt Comd
Fort Lee, Virginia
31 August 19_____

Annex _____ (Rear Area Security) to SOP No. _____

1. PURPOSE

- a. To estb procedure for rear area sety planning and op wi div spt area.
- b. Subor unit SOP will conform.

2. GENERAL

a. Each instl and unit CO in the div spt area, to include div rear ech, is resp for local sety of his own area. Subor units will prepare alternate plans for org into provisional rifle cos, plats, and sqds. This org will be used in the event of a priority 3 alert. All pers will receive weapons, inf sqd and plat tac training, and alert drills on a continuing basis. Plans for local sety will be coord with aja units.

b. Alert conditions:

(1) Priority 1: First contact made against en force attacking div spt area. Priority 1 mbl sety det alerted and employed. Admin spt instl and units continue to function. Priority 2 mbl sety det are alerted.

(2) Priority 2: Priority 2 mbl sety det are committed. Spt instl and units continue to function wi cpbl.

(3) Priority 3: Spt instl and units cease functioning, full mobilization into provisional org and committed against en threat.

3. INTELLIGENCE

a. Info of any en atk (irregular forces, nuclear, gnd atk, air atk, or any other) will be rept to S-2/S-3 immed.

b. Counterintelligence is of supreme importance in preventing en from gaining surprise. All pers in div spt area will be checked for positive identity at the entrance of each instl. Atch MP det will assist in checking identity of pers on the MSR.

4. OPERATIONS

a. General. CO, div spt comd, is resp for sety of div spt area. Co, spt comd, through the S-3 will issue the div spt area overlay type rear area defense OPORD showing local sety guard posts, outguards, roadblocks to be installed, key terrain to be defended, mbl sety force assy areas, and other coordination measures. Resp and tasks of individuals and subor elms are as shown in b through h below.

(Classification)

(Classification)

b. CO, mbl scty force:

- (1) XO, spt comd, is designated as the CO, spt comd mbl scty force.
- (2) CO, mbl scty force, is resp for empl of priority 1 and 2 mbl scty dets as provided for in spt comd rear area defense order (plan).
- (3) When div rear ech is sep from remainder of div spt area, CO of each admin co mbl scty det will be designated by OIC, rear ech.

c. Hq co and band:

- (1) Provide local scty for spt comd CP.
- (2) Provide, on a 30-min alert status, one priority 1 mbl scty det consisting of fol pers and equip:
 - (a) One off. or WO.
 - (b) Four rifle sqds, one NCO, nine EM each.
 - (c) One trk, $\frac{1}{4}$ -ton, with radio.
 - (d) One trk, $2\frac{1}{2}$ -ton.

d. Admin co:

- (1) OIC, div rear ech, resp for local scty.
- (2) Provide on a 30-min alert status, one priority 1 mbl scty det consisting of fol pers and equip:
 - (a) One off. or WO.
 - (b) Three rifle sqd, one NCO, nine EM each.
 - (c) Two wpns sqd, four EM each.
 - (d) Two MG 7.62-mm, GP.
 - (e) One trk, $\frac{1}{4}$ -ton.
 - (f) One trk, $\frac{3}{4}$ -ton.
 - (g) One trk, $2\frac{1}{2}$ -ton.

(3) Provide on 60-min alert status, one priority 2 mbl scty det with same org and equip as priority 1, mbl scty det.

e. Med bn:

- (1) Resp for local scty of div spt area clr station.
- (2) Provide one each med evac team org as fol, to accompany each priority 1 mbl scty det:
 - (a) One sr med aidman.
 - (b) Two litter bearers.
 - (c) One trk, amb, $\frac{3}{4}$ -ton.

f. Sup and trans bn:

- (1) Provide local scty for own instl.
- (2) Provide on a 30-min alert status, one priority 1 mbl scty det consisting of fol pers and equip:
 - (a) One off. or WO.
 - (b) Three rifle sqd, one NCO and nine EM each.
 - (c) Two wpn sqd, four EM.
 - (d) One 3.5-in RL sqd, three EM.
 - (e) One 3.5-in RL.
 - (f) Two 7.62-mm MG, GP.
 - (g) One trk, $\frac{1}{4}$ -ton with radio.
 - (h) One trk, $\frac{3}{4}$ -ton.
 - (i) One trk, $2\frac{1}{2}$ -ton.
- (3) Provide on 60-min alert status, one priority 2 mbl scty det with same org and equip as priority 1, mbl scty det.

(Classification)

g. Maint bn:

- (1) Provide local scty for own instl.
- (2) Provide on a 30-min alert status, one priority 1 mbl scty det consisting of fol pers and equip:
 - (a) One off. or WO.
 - (b) Three rifle sqd, one NCO and nine EM each.
 - (c) One wpn sqd, four EM.
 - (d) One 3.5-in RL sqd, three EM.
 - (e) One 3.5-in RL.
 - (f) One 7.62-mm MG, GP.
 - (g) One trk, $\frac{1}{4}$ -ton, with radio.
 - (h) One trk, $\frac{3}{4}$ -ton.
 - (i) One trk, $2\frac{1}{2}$ -ton.

h. Scty. Wi the div spt area specific areas of op for each elm of spt comd will be designated by CO, spt comd. Specific loc of log spt instl wi ea subor unit area of op is designated by CO concerned. Primary consideration must be given to the defensive nature of the terrain and the instl or unit's ability to accomplish its msn. A min of 2,000-meter interval will be maintained between instl listed below:

- (1) Spt comd CP.
- (2) Div rear ech (when a part of div spt area).
- (3) Div spt area clr sta.
- (4) Sup and trans bn CP (Div sup office).
- (5) Cl III distr pt.
- (6) Cl V mbl distr pt (when estb).
- (7) Veh park (trans and mtr trans co).
- (8) Each functional maint instl (mech, elec, armament).
- (9) Div instrumented affd.

5. ADMINISTRATION

a. Sup. Level of emerg sup indicated in current div OPORD.

b. Evac and hospitalization. When med requirements are beyond cpbl of provisional med evac teams, requests for additional means direct to CO med bn.

c. Trans.

(1) Requests for additional transportation to spt rear area scty requirements will be made to movements elm, spt cmd.

(2) Changes in spt area movement and tfc control plans will be coord with movements elm, spt cmd.

d. CA. Max use will be made of civ pers including police and med pers, housing, trans, and other facilities.

e. Reestablishment of log spt. Reestablishment of log spt after an incident is resp of CO, spt comd, See Annex: Area Damage Control.

6. COMMAND AND SIGNAL

a. En gnd or air atk will be rept immed through spt comd comd net (FM) to S2/S3. Atk by en air or nuclear wpn will be rept immed through div warning net (AM). Div admin/log net (RATT Nr 2) may be used in emergency.

b. Comd net for mbl scty force as designated in current SOI.

(Classification)

c. CP, primary, and alt assy areas for mbl sety force as shown in current div spt comd rear area defense OPORD.

GREEN
Col

DISTRIBUTION:

Each unit spt comd;
gen staff (1);
sig bn, engr bn;
OIC div rear ech (2)

OFFICIAL:

/s/ White
WHITE
S3

(Classification)

APPENDIX III

AREA DAMAGE CONTROL SOP

(Classification)

52d Mech Div Spt Comd
Fort Lee, Virginia
31 August 19_____

Annex _____ (Area Damage Control) to SOP Nr _____

1. APPLICATION

a. The provisions of this anx will apply to all units and instl wi the div spt area unless otherwise specified by the div area damage control plan. This anx prescribes normal procedures for def against and actions fol en nuclear, chemical, or biological attack or natural disaster.

b. See annex. (Actions To Minimize Effects of Enemy Nuclear, Chemical, and Biological Attack), 52d Mech Div SOP Nr _____, dtd 21 Aug 19__.

c. Subor unit SOP will conform and will be coord with S3. Passive def measures will be regularly empl. Mutual assistance between units wi the div spt area in the conduct of area damage control will be limited only by the necessity to continue the log spt msn. S3 will supv and coord the execution of area damage control plans.

2. GENERAL

a. Spt comd S3 is resp for supv and coord of the preparation of unit damage control plans. S3 will be loc at the spt comd CP. The S3 is to direct control and assessment teams (CAT), lt or hv rescue teams, labor sqds, decon sqds, and med teams, log spt, supplies, and med assistance to the disaster area.

3. RESPONSIBILITIES

a. Control and assessment team (CAT): The spt comd will org and equip one ea CAT as follows:

(1) Org:

- (a) Senior off.—S1, Spt comd.
- (b) Med rep—XO, Med bn.
- (c) Sup rep—XO, sup and svc co.
- (d) Engr rep—enr sup off.
- (e) RADLMON team—Hq co and band.
- (f) Comm det—one driver, one radio op, Hq section, spt comd.
- (g) Scty det—one mbl scty det, Hq co and band.
- (h) Trans det—Air: two pilots, helicopter, div avn bn,
Gnd: 3 drivers, sup and svc co; one driver, med bn.

(Classification)

(Classification)

(2) Equip:

- (a) One radio.
- (b) Two 2½-ton trk, sup and svc co.
- (c) One ¼-ton trk, Hq section, spt comd.
- (d) Radiation detection instrument, Hq co and band.
- (e) One ¼-ton trk, med bn.
- (f) One ¼-ton trk, sup and svc co.
- (g) Two utility helicopters, div avn bn.

(3) Msn: On order, move to damaged area; direct and rept Nr and type of cas, effectiveness of damaged unit, loss of commander (or ldr), loc of CAT CP, all radiation areas over _____ rad/hr and cml contamination discovered in course of op. If nec, assume con of damaged unit and restore comm to next higher hq. Take action to resume units msn ASAP.

b. Lt rescue sqd: Each unit except the maint bn will org and equip one ea lt rescue sqd per co as fol:

(1) Org:

- (a) One NCO.
- (b) Six EM.

(2) Equip:

- (a) Two trk ¼-ton; or one trk, ¾-ton.
- (b) One pick.
- (c) Two shovels.
- (d) Two axes.
- (e) Two cutters, wire.

(3) Msn: Lt rescue sqds will remove cas to assy areas and render first aid.

c. Hv rescue sqd: The maint bn org and equip four hv rescue sqd as fol:

(1) Org:

- (a) One Off.
- (b) Two NCO.
- (c) Ten EM.

(2) Equip:

- (a) One trk, 2½-ton w/one tlr, 1½-ton.
- (b) Two bars, pry.
- (c) One differential chain hoist, 1½-ton or 3-ton.
- (d) Two snatch blocks for 1-in. manila rope.
- (e) Two hacksaws.
- (f) Two cold chisels.
- (g) Manila rope, 1-in., 300 ft.
- (h) Two hydraulic jacks.
- (i) One acetylene welding and cutting equipment.
- (j) Two hooks, grappling.
- (k) Four road flares.
- (l) Four crowbars.
- (m) One cross-bar saw.
- (n) Two picks.
- (o) Five shovels.
- (p) Two sledges.
- (q) Two hatchets.
- (r) Portable generator with lights.

(Classification)

(Classification)

- (s) Four flashlights.
- (t) Four pr rubber gloves.
- (u) Two buckets.
- (v) Two cutters, wire.
- (w) One trk wrecker, 6 x 6.

(3) Msn: The hv rescue sqd will assist in the recovery and removal of cas and the salv of damaged materiel.

d. Labor sqd: The Hq co and band and the admin co will each org and equip one labor sqd as fol:

- (1) Org:
 - (a) One Off.
 - (b) Two NCO.
 - (c) Eighteen EM.
- (2) Equip:
 - (a) Two trk, 2½-ton.
 - (b) Five picks.
 - (c) Ten shovels.
 - (d) Three axes.
 - (e) Five litters, folding.

(3) Msn: The labor sqds will clear the debris and remove all usable sup; assist in search for and rescue of cas and tfc control.

e. Decon sqd: Each unit will org and equip one decon sqd each per co sized unit as fol:

- (1) Org:
 - (a) One NCO.
 - (b) Nine EM.
- (2) Equip:
 - (a) Eight shovels.
 - (b) Cml agent detection kit.
 - (c) Brushes, scrubbing.
 - (d) Two pr rubber gloves.
 - (e) Two cans, corrugated, 16-32 gal.
 - (f) Four ea DANC solution unit, 3-gal, M4.
 - (g) Bandage scissors.
 - (h) Ten each fld mask, with comp protection kit, M5A1.
 - (i) Radiation detection instrument.
 - (j) One rake.
 - (k) Four brooms.
 - (l) Rags, 20 lb.
 - (m) Two buckets, 14-qt.
 - (n) One axe.
 - (o) One heater, immersion type.
 - (p) Four ea decon agent, STB, 50-lb can.
 - (q) Soap, issue 5 lb.
 - (r) Leather dressing, vesicant gas resistant, M2, 10 cans.

(3) Msn: The decon sqds will assist in pers and equip RADLMON and decon op; prepare and post markers of dangerously contaminated areas of for those areas as directed by senior off., CAT.

(Classification)

f. Med team: The med bn will org and have a val two each med teams equipped as fol:

(1) Org:

- (a) One MC Off.
- (b) Two med aid men.
- (c) Four litter bearers.
- (d) Two amb orderlies.
- (e) Two drivers, amb.

(2) Equip:

- (a) One ¼-ton trk with radio.
- (b) Two amb, fld, ¾-ton.
- (c) First aid equip.
- (d) Med equip and sup.

(3) Msn: The med team will establish a med "collecting station" on the fringe of the disaster area and render immed med assistance to pers.

g. Chaplain team: Spt comd chaplain will designate two chaplain teams to be prepared to move into an area on 30-minute notice. Teams will normally operate with medical team(s). Equipment and supplies for each team will include:

- (1) One ¼-ton trk.
- (2) Ecclesiastical supplies.
- (3) CB decontamination equipment, as available.

h. Miscellaneous instructions: On order of S3 to move to a disaster area, off. or NCO's in charge of lt rescue sqds, hv rescue sqds, labor sqd, decon sqds, or med teams will—

- (1) Rept to senior off., CAT, for instructions.
- (2) Request through senior off., CAT, additional assistance required.
- (3) Make all op repts and findings to senior off., CAT.

4. MEDICAL EVACUATION AND HOSPITAL.

- a. Mass evac of cas from disaster area to div clr station on auth this Hq only.
- b. Affected units accomplish max self aid.
- c. Requests for med air evac direct to div surg.
- d. Med bn resp for evac from disaster area to div clr station in div spt area.

5. SUPPLY

CAT. sup rep rept status of sup of damaged unit to S4.

6. TRANSPORTATION

- a. Traffic control and reg.
 - (1) Only veh engaged in area damage con activities or tac op wi area will be permitted to enter and op in the damaged area.
 - (2) Tfc will be controlled wi damage area by atch MP units or labor sqds as directed by senior off., CAT.
- b. Trans requirements. Req for trans to spt dam. con op will be submitted to mov elm. spt comd CP through senior off., CAT.

7. PERSONNEL

a. The effect of diverting admin spt pers to damage control tasks, such as assigning team as members of the CAT or special assistance sqds, must be carefully weighed because the primary msn of the spt comd is to continue the log spt msn.

b. All pers wi the div spt area will be provided protection and oriented on procedures to be fol in the event of nuclear or CB atk.

8. CIVIL AFFAIRS

a. Max use will be made of civ pers, sup, and fac to spt the area damage control op. Mil spt of civil def op will be prov only upon order this Hq.

b. CA units loc wi div spt area will prove ln between all mil Hq and civil authorities and will coord the empl of civ spt for the area damage control op. In absence of CA pers, the spt comd S3 will assume these functions.

9. RECORDS AND REPORTS

a. Periodic repts re aval of area damage control CAT's and other special damage control sqds will be made this Hq attn S3 as fol:

(1) Nonactive cmbt—last day of month prior to 1800.

(2) Active cmbt—Friday of each wk as of 2400.

b. All units of instl moving toward div spt area rept ETA, actual time of arrival, and departure to mov elm., spt cmd CP.

c. All pers of special damage control sqds rept to senior off., CAT, upon arrival at disaster area.

10. SIGNAL COMMUNICATION

Current SOI and SSI in effect.

GREEN
Col

Distr: Div A (less corps and army)

Official:

/s/ White
WHITE
S3

APPENDIX IV

CHARACTERISTICS OF SIGNAL EQUIPMENT

Note. Equipment located in the support command operations platoon unless otherwise indicated.

Nomenclature	Use	References
Radio Terminal Set, AN/MRC-69 (includes Shelter S-178/MRC-69 (V) and power unit PU-474/M).	Provides two 12-channel radio relay systems over spiral-four cable or radio sets AN/TRC-24. Mounted on a 2½-ton truck which tows the 1½-ton, trailer-mounted set, PU-474/M.	TM 11-5820-204-15
Radio Set AN/GRR-5-...	Used as a monitoring station in the division warning net. (Vehicular, fixed, or man-packed). Requires an ac source of power or may use vehicular battery. (Requires 2 each BA-419/U (90-v dc) and 1 each BA-405/U (1.5-v dc) for portable operation.)	TM 11-295
Radio Teletypewriter Set, AN/GRC-46 (includes Shelter S-89/G).	Transmits and receives CW, voice, and frequency-shift radio teletype signals in the frequency range of 1.5 to 32 mcs. (Trans 1.5 to 20 mcs and Rcvr 1.5 to 32 mcs) Mounted in a ¾-ton cargo truck. Uses vehicular source of power. (When stationary may use generator set, gasoline engine, 3-kw, 28-v dc, as an external source of power.	TM 11-5815-204-10
Teletypewriter, Central Office AN/MGC-17 (includes Shelter 2-169/MGC-17 and power unit PU-322/G).	Provides facilities for switching 12 voice frequency teletypewriter circuits. Includes provision for two crypto devices. Mounted in a ¾-ton cargo truck which tows the ¾-ton, trailer-mounted PU-322/G.	TM 11-5815-205-15
Manual Telephone Central Office AN/MTC-7 (Shelter S-170/MTC-7 and power unit PU-322/G are included as components).	Provides switching facilities for 60 telephone circuits. Used to interconnect local telephone circuits to trunk circuits and to switch local circuits. Mounted in a ¾-ton cargo truck which tows ¾-ton, trailer-mounted PU-322/G.	TM 11-5805-211-15
Panel, Patching, Communication SB-611/MRC (includes Shelter S-171/MRC).	Provides facilities for connecting up to 46 26-pair cables and 18 field-wire lines. Used to provide circuit patching and testing facilities at support command headquarters. May be mounted in a ¾-ton truck or trailer. Requires an external source of ac power.	TM 11-5805-204-15
Cable Assembly, Telephone, CX-162/G () ft.	5-pr VF field telephone cable assembly furnished in 100-, 200-, and 1,000-ft lengths. Includes universal connectors on both ends.	FM 24-20
Cable Assembly, Telephone, CX-163/G.	5-pr cable stub used with CX-162/G. Issued in 12-foot lengths. Has a universal connector at one end; at the other end, the conductors are separated to permit connection to binding posts.	FM 24-20
Cable Assembly, Telephone, CX-4566/G (250 ft).	26-pr cable equipped with a universal 26-pr connector on each end. Wound on reel RC-435. Used to interconnect the SB-611/MRC with the AN/MTC-7, AN/MRC-69, AN/MGC-17, etc.	TM 11-5815-210-15
Cable Assembly, Telephone, CX-4760/U.	A 15-foot, 26-pair cable stub equipped with a 26-pr universal connector on one end; at the other end, the conductors are separated to permit connection to binding posts.	TM 11-5895-224-15
Radio Set, AN/GRC-26 (includes S-56/G and PU-474/M as components).	Mobile radio teletypewriter station. Transmits and receives CW, voice, and frequency-shift radioteletype signals in the frequency range of 1.5-20 mcs. Mounted on a 2½-ton truck which tows 1½-ton, trailer-mounted generator set, PU-474/M.	TM 11-5820-202-10
Radio Set, AN/PRC-25-...	A short-range, man-pack portable, FM RT in the frequency range of 30 to 75.9 mcs over a range of approximately 8 KM.	TM 11-5820-398-10

Nomenclature	Use	References
Radio Set, AN/VRC-46...	FM voice radio set using power source of vehicle in which installed. Operates in frequency range of 30-76 mc over a distance of 32 KM. Consists of one RT-524 (continuous tuning) (Hq Co & Band).	TM 11-5820-401-10
Radio Set, AN/VRC-47...	Same as Radio Set AN/VRC-46, except that it includes receiver R-442 (automatic tuning).	TM 11-5820-401-10
Radio Set, AN/VRC-49...	Same as radio set AN/VRC-46, except that it includes an additional RT-524 (continuous tuning).	TM 11-5820-401-10
Power Unit, PU 322/G....	Consists of two power units, PE-75, AF, mounted on a ¾-ton cargo trailer M-101. Each unit supplies 115-volt, 50-60 cycles, 2.5 kw, 22 amps, wt 2,300 lbs.	TM 11-900A
Power Unit, PU-474/M...	Consists of two 10-kw generator sets mounted in a 1½-ton cargo trailer M-105. Each unit supplies 10 kw, 115 volts, 50-60 cycles ac.	TM 11-6115-230-15

INDEX

	Paragraph	Page
Administration company:		
Capabilities.....	29	18
Command.....	4c	4
Employment.....	31	18
Organization (fig. 7).....	30	18
Aerial supply.....	85b	55
Aeromedical evacuation.....	93c	65
Airborne division support command:		
Commander.....	53a	29
Intelligence staff officer.....	53b(1)	30
Division parachute officer.....	53b(2)	30
Staff.....	53b	30
Airborne operations, logistic support.....	95, 96	65, 66
Aircraft maintenance and supply (fig. 26).....	90	61
Air defense, support command.....	47a(4)	24
Air equipment support company:		
Capabilities.....	43	23
Employment.....	45	23
Organization (fig. 11).....	44	23
Ammunition (<i>See also</i> Classes of supply):		
Officer, division.....	51b	28
Supply (fig. 21).....	81	53
Amphibious operations, logistic support.....	108, 109	70
Antiguerrilla operations.....	62-65, 100, 101	35, 68
Area damage control:		
General.....	2d, 66	4, 36
Means.....	67	36
Measures.....	68	36
Standing operating procedure (sample).....	app III	79-83
Support command.....	47a(5)	24
Army area communication system, connection.....	72	41
Band.....	28c	18
Basic considerations.....	4	4
Basic load.....	22b, 74b, 81c	15, 43, 55
Bath service.....	76b(3)(f), 93	46, 65
Battalion:		
Logistic elements and personnel.....	18	12
Logistic support operations.....	20	13
Trains:		
Capabilities.....	19	13
Employment (fig. 4).....	20	13
Mission.....	17	12
Organization (fig. 3).....	18	12
Battlefield recovery.....	15d, 19e, 38d, 88	10, 13, 21, 58
Biological decontamination.....	69	36
Brigade:		
Logistic support.....	4d	4
Operations, independent or semi-independent brigade.....	4b, d(1)	4

	Paragraph	Page
Brigade—Continued:		
Trains:		
Capabilities	15	9
Employment	16	10
Mission	13	9
Organization	14	9
Captured materiel	95	65
Capabilities:		
Administration company	29	18
Air equipment support company	43	23
Battalion trains	19	13
Brigade trains	15	9
Division support command	11	8
Maintenance battalion	38	21
Medical battalion	32	19
Supply and transport battalion	35	20
Characteristics of signal equipment	app IV	85, 86
Chaplains	28b, 50g	18, 26
Chemical:		
Decontamination	69	36
Maintenance. (See Maintenance.)		
Officer, support command	50f	26
Supply. (See Supply.)		
Warfare	7	5
Civil affairs support	2c	4
Classes of supply:		
Class I (fig. 16)	77	46
Class II (figs. 17, 18, 19)	78	48
Classes III and IIIA (fig. 20)	79	48
Class IV	80	53
Class V (fig. 21)	81	53
Maps	83	55
Water	82	55
Clearing stations	15c, 32, 34, 90, 92	10, 19, 61, 63
Clothing exchange	76b(3)(f), 93	46, 65
Combat battalion, logistic support	4e	4
Combat service support	2a	3
Combat trains	7b(1), 20, 22a(1)	6, 13, 15
Command, logistic support operations	46, 47a	24
Commanders, logistic responsibilities	5	5
Comments	3	4
Communications:		
Connection to army area communication system	72	41
Officer, battalion	20a	14
Support command in airborne divisions	73	43
Support command in armored, infantry, and mechanized divisions	70	40
Company trains:		
Composition	22	15
Employment	22	15
Mission	21	15
Contact teams	41, 90	22, 61
Control, brigade trains	16a	10
Control, logistic support operations	46	24
Decontamination	69	36
Defense, brigade trains	16c	11
Defense, division support organization	60	34
Defensibility, logistic support units and facilities in chemical and biological operations and nuclear warfare	7b(2)	6
Defensive operations	60	34
Delaying action	16d(2), 61	12, 35
Dental service	32	19

	Paragraph	Page
Desert operations, logistic support.....	110-112	70
Dispersion, logistic support units and facilities in chemical and biological operations and nuclear warfare.....	7b(1)	6
Displacement:		
Division support area (fig. 12).....	55b	31
Support command command post.....	56b	31
Support command units in brigade areas.....	57b	33
Disposition of units, support command.....	47a(2)	24
Division:		
Ammunition officer.....	28a, 51b, 53b(3)	17, 28, 30
Logistics.....	5-8	5, 6
Maintenance support company.....	41, 42	22
Military police company (fig. 5).....	23-25	15
Parachute officer.....	53b(2)	30
Rear echelon.....	58	34
Supply office.....	76	45
Support area (fig. 12).....	55	31
Support command:		
Capabilities.....	11	8
Command post.....	65	35
Employment.....	12	8
Mission.....	9	8
Organization (fig. 2).....	10	8
Organization for support in:		
The offense.....	59	34
The defense.....	60	34
Retrograde movements.....	61	35
Units in brigade areas.....	57	33
Transportation officer.....	51a	26
Employment:		
Administration company.....	31	18
Air equipment support company.....	45	23
Battalion trains (fig. 4).....	20	13
Brigade trains.....	16	10
Company trains.....	22	15
Division support command.....	12	8
Headquarters, headquarters company and band, division support command.....	28	17
Maintenance battalion.....	40	21
Medical battalion.....	34	19
Military police company.....	25	15
Supply and transport battalion.....	37	20
Support command operations platoon, signal operations company:		
Airborne divisions (fig. 15).....	74	43
Armored, infantry, and mechanized divisions (figs. 13 and 14).....	71	40
Engineer:		
Maintenance. (See Maintenance.)		
Supply. (See Supply.)		
Water supply.....	82	55
Evacuation:		
Captured materiel.....	95	65
Maintenance collection points.....	89a	60
Materiel (fig. 25).....	89	60
Medical. (See Medical.)		
Salvage collection points.....	89b	61
Vehicles. (See Maintenance.)		
Exchanges.....	76b(3)(a)	46
Executive officer, division support command.....	50a	25
Field trains:		
Battalion.....	20	13
Company.....	22	15
General.....	8b(2)	6
Food service.....	76b(3)(d)	46

	Paragraph	Page
Forward support company	40, 87	21, 58
Fuel and lubricants. (See Classes of supply.)		
Functions:		
Division ammunition officer	51b	28
Division support area	55a	31
Division transportation officer	51a	26
Support command command post	56a	31
Support command staff	50	25
Support command units in brigade areas	57b	33
G4. (See Logistics staff officer.)		
General staff coordination	54	30
Graves registration:		
Collection and evacuation (fig. 28)	94a	65, 46
Division supply office	76b(3)(b)	46
Isolated burials	94b	65
Supply and transport battalion	35	20
Headquarters, headquarters company and band, division support command:		
Employment	28	17
General	26	17
Organization (fig. 6)	27	17
Headquarters and main support company, maintenance battalion	40, 87	21, 58
Headquarters and support company, medical battalion	34, 92	19, 63
Headquarters, division rear echelon	58	34
Hospitalization. (See Medical.)		
Instructions, support command	48	24
Intelligence staff officer, support command:		
Airborne divisions	53b(1)	30
Armored, infantry, and mechanized divisions	49c	25
Inspections, division support command	47b(3)	24
Inspections, maintenance	87	58
Jungle operations, logistic support	102-104	68
Laundry service	76b(3)(f)	46
Location:		
Division support area (fig. 12)	55b	31
Support command command post	56b	31
Support command units in brigade areas	57	33
Logistics:		
Battalion elements	18	12
Brigade elements	14	9
Company elements	22	15
Operations in chemical and biological operations and nuclear warfare	7	5
Planning	6, 54	5, 30
Responsibilities of commanders	5	5
Reports	16a(4)	11
Staff officer	6, 49e	5, 25
Transport (fig. 22)	84-86	55
Logistic support:		
Airborne operations	96, 97	67
Amphibious operations	108, 109	70
Brigade	4d	4
Combat battalion	4e	4
Desert operations	110-112	70
Jungle operations	102-104	68, 69
Mountain operations	105, 106	69
Operations against irregular forces	100, 101	68
Situations short of war	98, 99	67
Support command commander	47b	24
Maintenance:		
Aircraft, army	40, 89	21, 60

	Paragraph	Page
Maintenance—Continued:		
Battalion:		
Commander.....	52 <i>b</i>	29
Employment.....	40-42	21, 22
General.....	38	21
Organization (fig. 10).....	39	21
Direct support.....	36, 85	20, 55
Evacuation.....	89	60
General support.....	41 <i>a</i>	22
Inspections.....	87	58
Management.....	87	58
Medical.....	32 <i>c</i>	19
Organizational.....	18 <i>a, b</i> , 19 <i>a</i> , 32 <i>c</i> , 87, 90	12, 13, 19, 58, 61
Platoon, battalion trains.....	18 <i>b</i>	12
Records and reports.....	87 <i>c</i>	58
Recovery.....	89	60
Repair parts supply.....	88	58
Responsibility.....	20, 47 <i>b</i>	13, 24
Staff advice.....	47 <i>b</i> (1)	24
Map supply.....	83	55
Medical:		
Battalion:		
Capabilities.....	32	19
Commander.....	52 <i>a</i>	29
Employment.....	34	19
Organization (fig. 8).....	33	19
Maintenance.....	91, 92	63
Service (fig. 27).....	18 <i>c</i> , 91, 92	13, 63
Supply.....	77	46
Military police company (fig. 5).....	2 <i>b</i> , 23-25	3, 15
Mission:		
Battalion trains.....	17	12
Brigade trains.....	13	9
Company trains.....	21	15
Division support command.....	9	8
Military police company.....	10	8
Mobile defense.....	16 <i>c</i> (1), 60	11, 34
Mountain operations, logistic support of.....	105-107	69
Movement, support command.....	47 <i>a</i> (2)	24
Offensive operations.....	16 <i>b</i> , 59	11, 34
Operations against irregular forces.....	100, 101	68
Operations staff officer.....	50 <i>d</i> , 53 <i>b</i> (1)	25, 30
Orders, support command.....	48	24
Organization for combat (fig. 1).....	8	6
Organization:		
Administration company (fig. 7).....	30	18
Air equipment support company (fig. 11).....	44	23
Battalion trains (fig. 3).....	18	12
Brigade trains.....	14	9
Division support command (fig. 2).....	4 <i>a</i> , 10	4, 8
Headquarters, headquarters company and band, division support command (fig. 6).....	27	17
Maintenance battalion (fig. 10).....	39	21
Medical battalion (fig. 8).....	33	19
Military police company (fig. 5).....	24	15
Supply and transport battalion (fig. 9).....	36	20
Support command operations platoon, signal support operations company:		
Airborne divisions (fig. 15).....	74	43
Armored, infantry, and mechanized divisions (figs. 13 and 14).....	70	40
Organizational maintenance.....	18 <i>b</i> , 19 <i>a</i> , 32 <i>c</i> , 87, 90	12, 13, 19, 58, 61
Perimeter defense.....	60	34

	Paragraph	Page
Personnel staff officer, support command.....	50b	25
Prescribed load.....	22b	15
Purchasing and contracting.....	76b(3)(c)	46
Radiological decontamination.....	69	36
Rear area security:		
Forces.....	63	35
General.....	2d, 47a(5)	4, 24
Measures.....	65	35
Responsibility.....	62	35
Scope.....	64	35
Standing operating procedure.....	app II	75-78
Rear area, division.....	58	34
Recovery of materiel.....	89	60
References.....	app I	71-73
Repair parts supply.....	88	58
Reports, logistic.....	16a(4)	11
Responsibilities:		
Aerial supply.....	85b	55
Battalion logistic personnel.....	18	12
Commander, general.....	5	5
Division logistic personnel.....	6	5
Division support command commander.....	47	24
Logistics staff officer (G4/S4).....	6, 50e	5, 25
Maintenance.....	20, 47b, 87	13, 24, 58
Supply.....	35, 47b, 51b	20, 24, 28
Services.....	35, 47b	20, 24
Transport.....	35, 47b, 51a	20, 24, 26
Retrograde operations.....	16d, 61	12, 35
S4. (See Logistics staff officer.)		
Salvage.....	14d, 76b(3)(e), 89	9, 46, 60
Scope.....	2	3
Security:		
Division support area.....	55c	31
Support command command post.....	56c	33
Support command units.....	55c, 56c, 57c	31, 33
Rear area.....	58	34
Service:		
Medical.....	91, 92	63
Procedures, division supply office.....	76b(3)	46
Staff advice.....	47b(1)	24
Signal:		
Maintenance. (See Maintenance.)		
Equipment characteristics.....	app IV	85, 86
Service.....	70, 71, 72-74	40, 41-43
Supply. (See Supply.)		
Situation short of war.....	98, 99	67
Special operations:		
Against irregular forces.....	100, 101	68
Airborne.....	96, 97	67
Amphibious.....	108, 109	70
Desert.....	110-112	70
Jungle.....	102-104	68, 69
Mountain.....	105-107	69
Situation short of war.....	98, 99	67
Staff:		
Advice.....	47b(1)	24
Responsibilities, support command.....	11f, 54	8, 30
Support command:		
Airborne divisions.....	53	29
Armored, infantry, and mechanized divisions.....	50	25
Composition.....	49	24

	Paragraph	Page
Staff—Continued:		
Support command—Continued:		
Division ammunition officer.....	53b	30
Division transportation officer.....	53a	29
Relationship of support command commander to division commander and staff.....	54	30
Unit staff.....	49	24
Standing operating procedures (SOP):		
Area damage control.....	app II	75-78
Rear area security.....	app III	79-83
Supervision, division logistic operations.....	47b(2)	24
Supply:		
Class I (fig. 16).....	77	46
Class II (figs. 17 and 18).....	78	48
Class III (fig. 20).....	79	48
Class IV (figs. 18 and 19).....	80	53
Class V (fig. 21).....	81	53
Economy.....	5e	5
General.....	74	43
Maps.....	83	55
Medical.....	78	48
Procedures, division supply office.....	76b(1)	46
Repair parts.....	88	58
Salvage.....	89	60
Water.....	82	55
Supply and transport battalion:		
Capabilities.....	35	20
Commander.....	52c	29
Employment.....	37	20
Organization (fig. 9).....	36	20
Support command. (See Division support command.)		
Support command commander.....	4c, 47, 53a	4, 24, 29
Support command command post.....	56	31
Support command operations platoon.....	70-74	40-43
Support platoon leader.....	16a, 18a	10, 12
Surgeon, battalion.....	18c, 20	12, 13
Tactical control, support command commander.....	47a(1)	24
Training, support command.....	47a(3)	24
Trains, logistical:		
Armored cavalry squadron.....	1a	3
Battalion.....	17-20	12, 13
Brigade.....	13-16	9, 10
Company.....	21, 22	15
General.....	8b	6
Transportation:		
Allocation and control.....	85	55
Company.....	35-37	20
General.....	84	55
Means (fig. 23).....	85	55
Officer.....	51a	26
Procedures, division supply office.....	76b(2)	46
Section.....	28d	18
Supply. (See Supply.)		
Unit exchanges.....	76b(3)(a)	46
Unit staff, support command.....	49	24
Water supply.....	82	65
Withdrawal.....	16d, 61	12, 35

By Order of the Secretary of the Army:

HAROLD K. JOHNSON,
General, United States Army,
Chief of Staff.

Official:

J. C. LAMBERT,
Major General, United States Army,
The Adjutant General.

Distribution:

Active Army:

CofSA (1)	TJAG (1)	Armies (25)
VCoFA (1)	TPMG (1)	Corps (15)
SGS (1)	TSG (1)	Div (10)
ACSFOR (2)	USACDC Agcy (5) except	Div Arty (5)
ACSI (2)	USACDCEA (10)	Bde (5)
DCSLOG (2)	USCONARC (10)	Bn (5)
DCSOPS (2)	USAMC (15)	Regt/Gp (5)
DCSPER (2)	USASA (1)	Co/Btry (2)
CAR (2)	USACDC (10)	USATC (5)
CINFO (1)	USACDCIAS (1)	USMA (5)
CLL (1)	USACDCCAG (5)	USAWC (5)
CMH (1)	USACDCEC (10)	Br Svc Sch (5) except
CNGB (1)	USACDCCSSG (5)	USAADS (8)
COA (1)	USACDCNG (1)	USAARMS (25)
CofCh (1)	USACDCSWCAG (5)	USAOGMS (12)
CofEngrs (3)	USACDCCCISG (1)	Joint Sch (5)
CofF (1)	ARADCOM (10)	PMS Sr Div Units (2)
CofSptS (1)	ARADCOM Rgn (10)	PMS Jr Div Units (2)
CORC (1)	LOGCOMD (5)	PMS Mil Sch Div Units (2)
CRD (1)	OS Maj Comd (10)	Hosp (2)
OPO (1)	DISCOM (10)	Dep (2)
TAG (1)	FASCOM (15)	MAAG (2)
TIG (1)	MDW (1)	Mil Msn (2)

NG: State AG (3); Div (3); Div Arty (2); TOE's: 8-36 (2); 29-2 (2); 29-6 (2); 29-16 (2); 29-26 (2); 29-36 (2).

USAR: Units—same as active Army except allowance is two copies to each unit.

For explanation of abbreviations used, see AR 320-50.

☆ U.S. Government Printing Office: 1965-750580